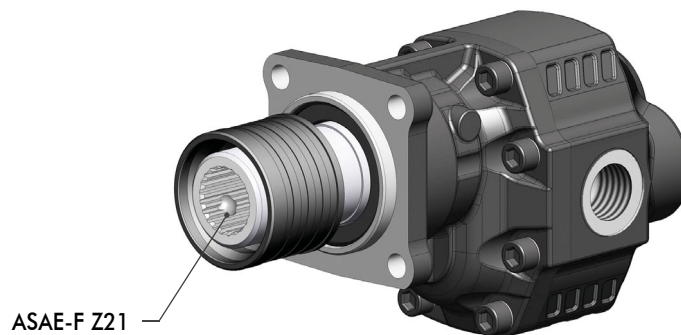


NPGH ASAE-F Z21 gear pumps

We are glad to inform you that our gear pumps range will include now also the following group 4 - **NPGH** series - with shaft with female groove **ASAE Z21**.



Technical data

Pump type	Displacement	Code		IN ISO 228	OUT ISO 228	Pressure			Max. continuous speed	Max. intermittent speed	Min. speed	Weight
						P1	P2	P3				
		Right	Left	ISO 228	ISO 228	bar	bar	bar	rpm	rpm	rpm	Kg
NPGH-63	63.70	10506230632	10506230641	G 1	G 3/4	290	315	325	1800	2700	300	18
NPGH-73	74.87	10506230730	10506230749			280	300	315				20
NPGH-84	85.96	10506230847	10506230856	G 1-1/4	G 1	260	280	290	1500	2500	300	20
NPGH-100	102.60	10506231006	10506231015			250	270	280				21
NPGH-116	119.24	10506231168	10506231177	G 1-1/2	G 1	240	260	270	1500	2500	300	21.5
NPGH-133	135.88	10506231337	10506231346			220	250	260				22.5
NPGH-150	149.75	10506231506	10506231515			180	210	220				23

P1=Max. continuous pressure
P2=Max. Intermittent pressure
P3=Max. peak pressure

(100%)
(20 sec.max.)
(6 sec.max)

For any information you may need, please contact export department.