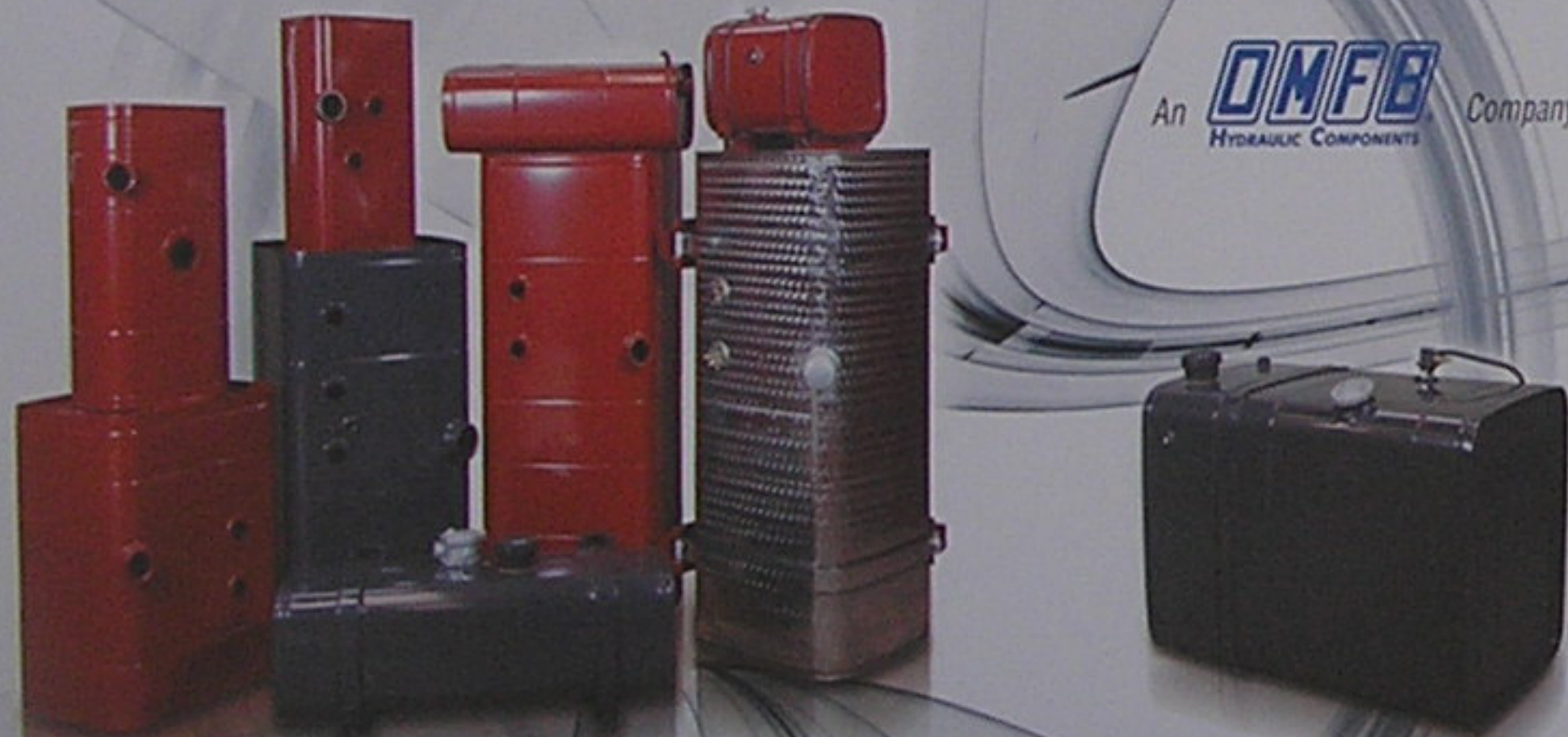


OMFB
HYDRAULIC COMPONENTS

DAL BARCO RENATO S.r.l.

SERBATOI PER AUTOCARRI



An **OMFB** Company
HYDRAULIC COMPONENTS

POWER ON THE MOVE

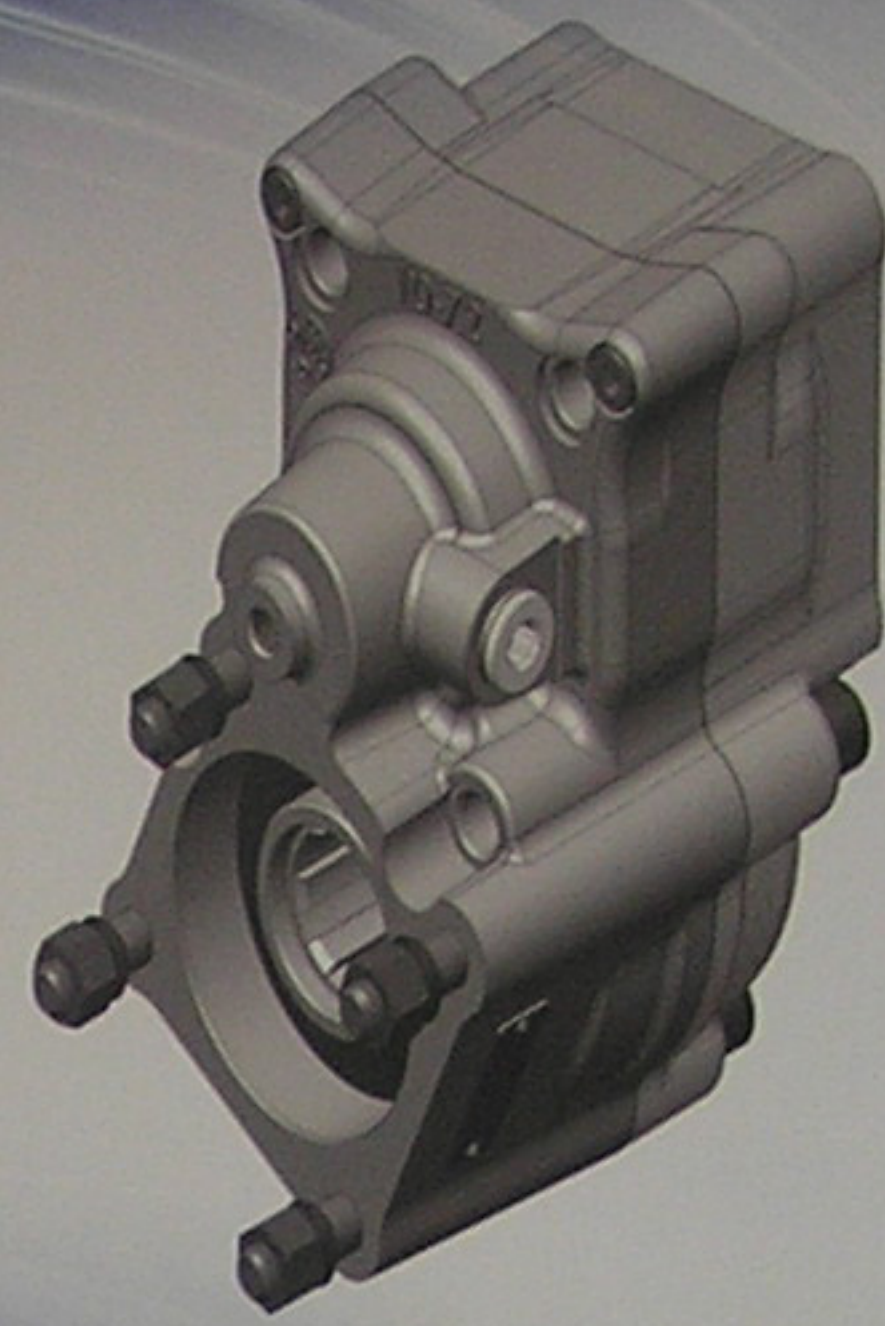
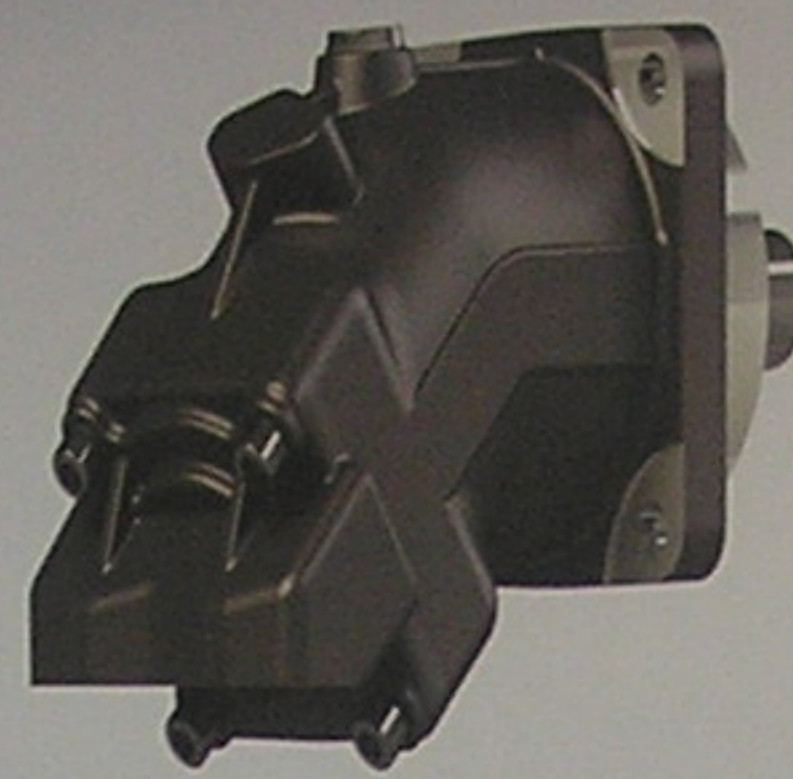
OMFB
HYDRAULIC COMPONENTS



DYNAMIC POWER

OMFB[®]

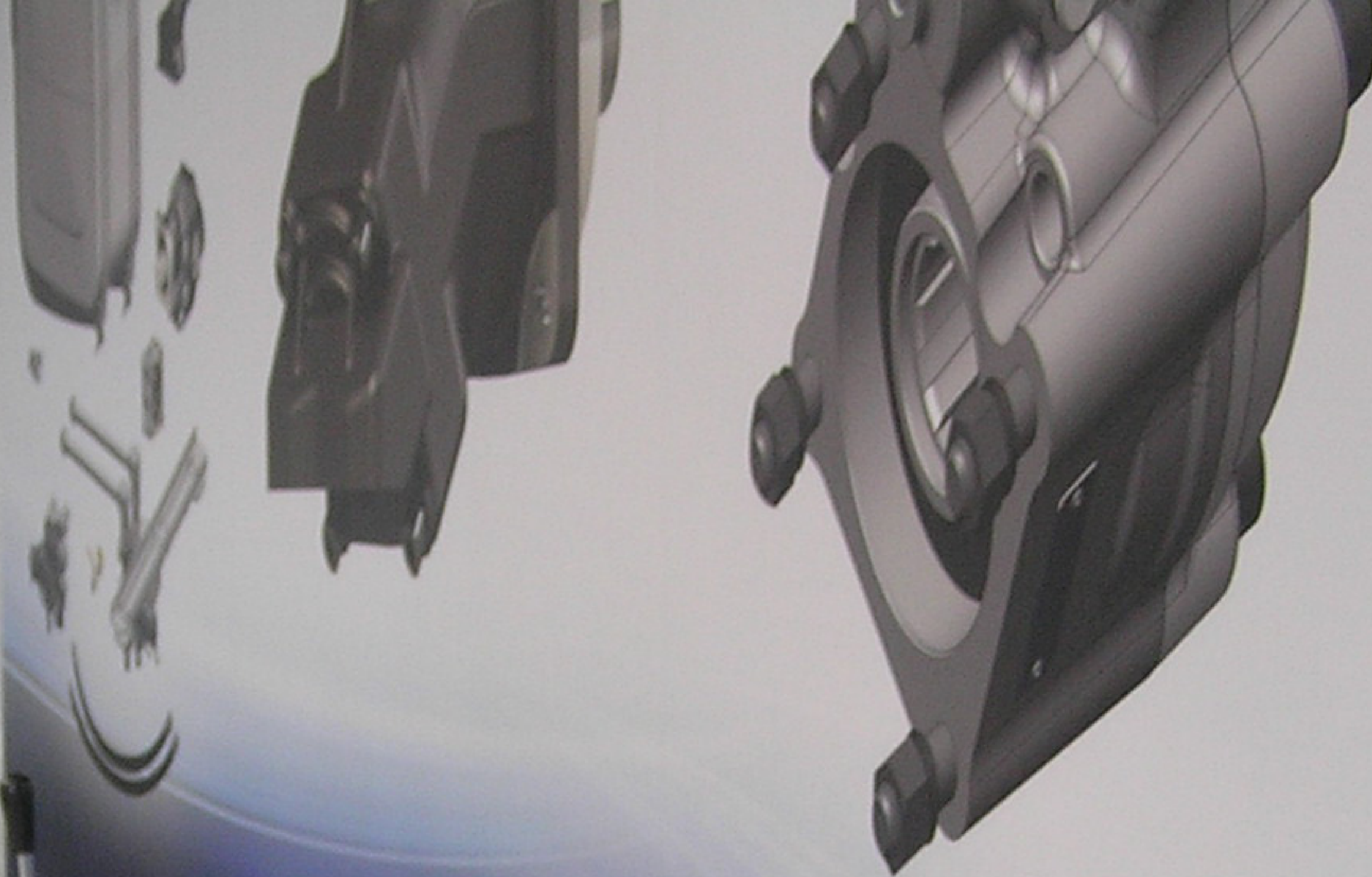
HYDRAULIC COMPONENTS



SERBATOI PER AUTOCARRI

An **OMFB** Company
HYDRAULIC COMPONENTS







HYDRAULIC COMPONENTS

DNV-GL

DNV-GL

ube

ube



Force Series

DHFB
2000

DHFB
2000

