

# CULLE PER ANCORAGGIO MARTINETTI CRADLES FOR CYLINDERS

CODICE FAMIGLIA  
FAMILY CODE

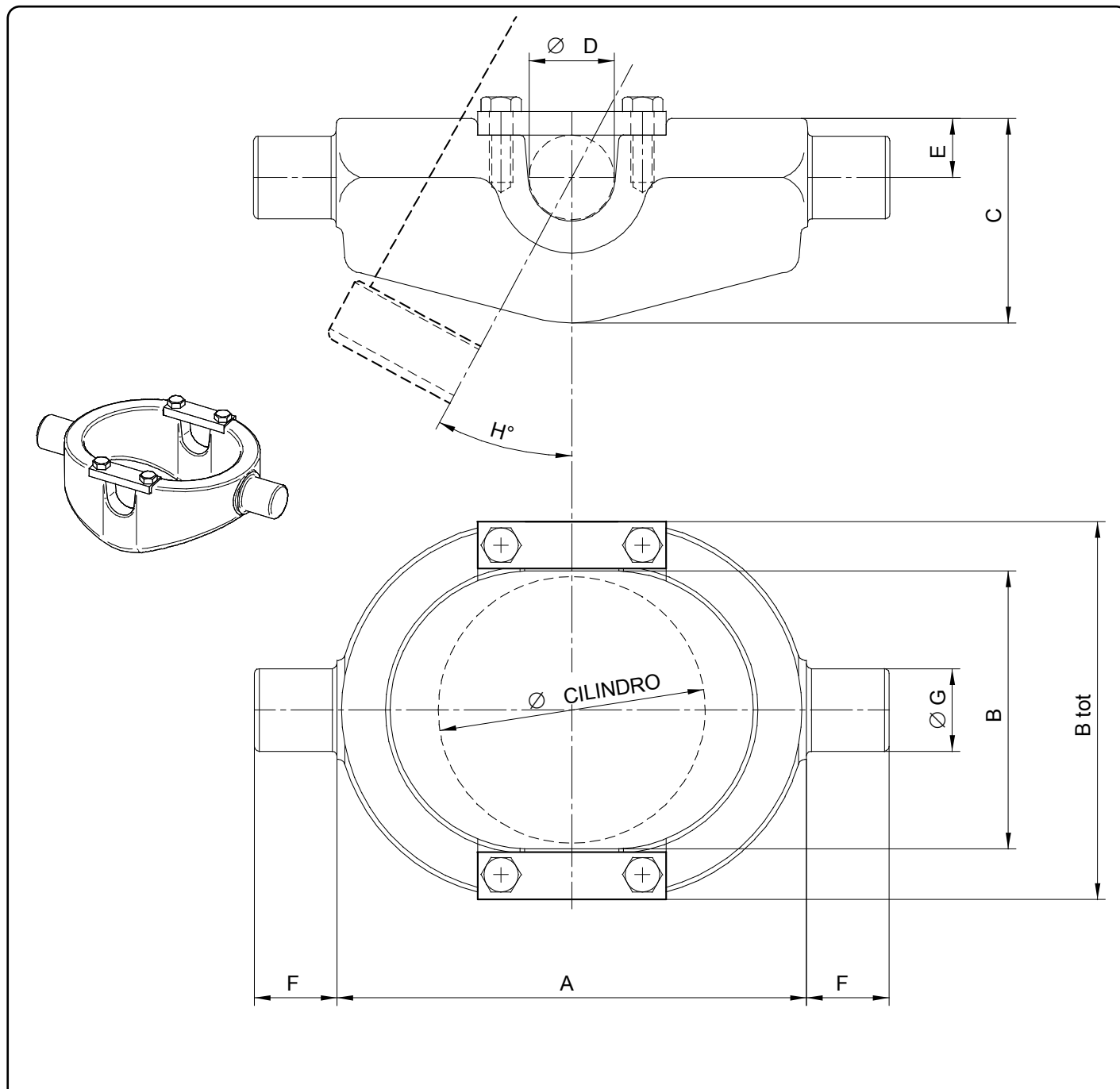
**140002**

16/12/2019

99740013910

04/02/2016

99714000201 Rev. AA



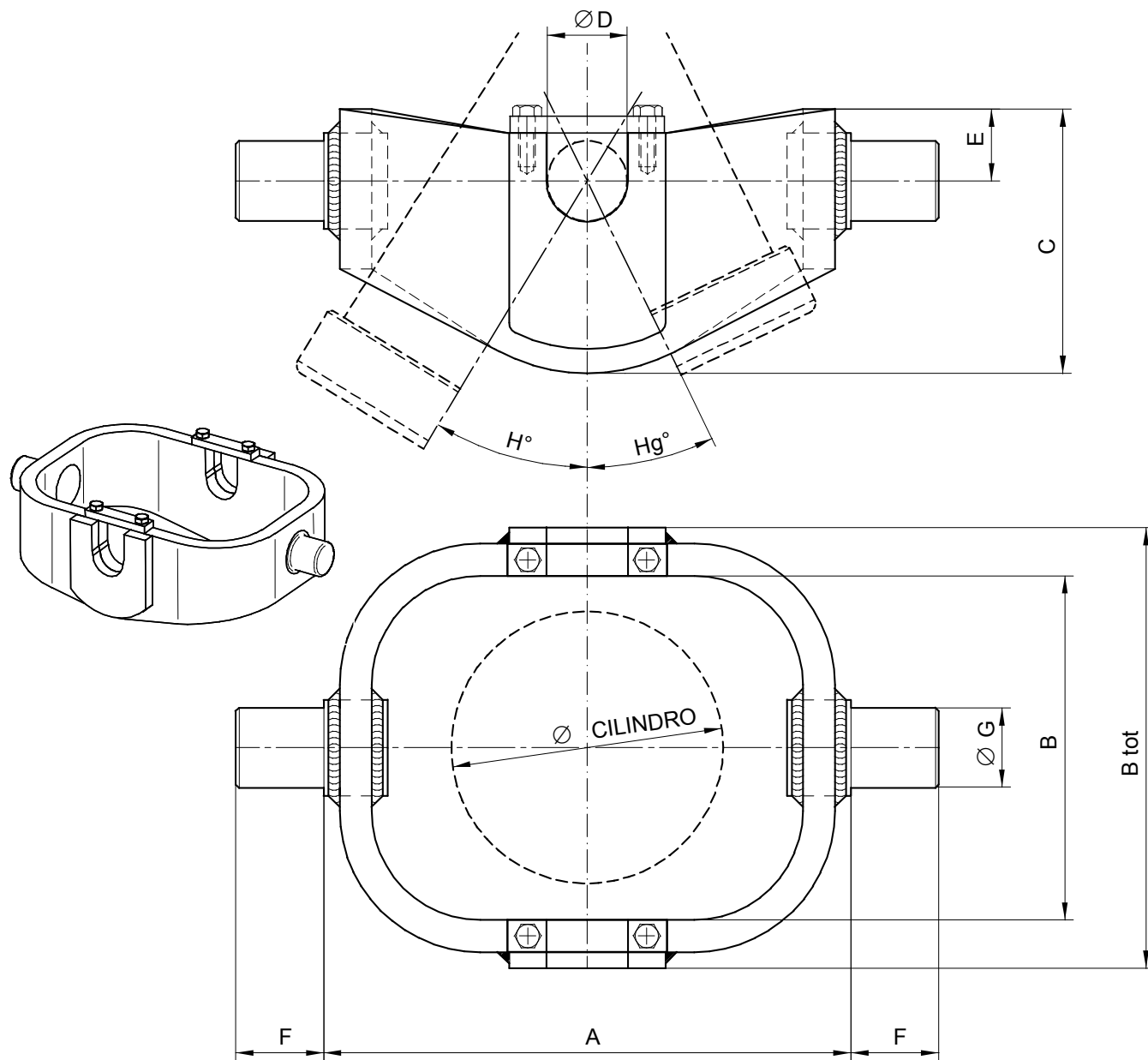
TIPO TYPE	CODICE CODE	DIMENSIONI - DIMENSIONS										Portata Charge	Peso Weight
		A	B	B tot.	C	ØD	E	F	ØG	H°	ØCil.		
1	14000200010	200	120	160	77	35	25	35	35	32°	80/95	7	5
2	14000200029	230	135	195	97		28	40	40	37°	112	10	9
3	14000200038	230	155	215	107	40	31			30°	124	16	10,5
4	14000200047	280	185	240	125	45	40	45	50		150	20	15

pag.25



O.M.F.B. S.p.A. Hydraulic Components  
We reserve the right to make any changes without notice.  
Edition 2006.10 No reproduction, however partial, is permitted.  
Via Cave, 7/9 25050 Provaglio d'Iseo (Brescia) Italy Tel.: +39.030.9830611  
Fax: +39.030.9839207-208 Internet:www.omfb.it e-mail:contatti@omfb.it

COMPANY WITH  
QUALITY SYSTEM  
CERTIFIED BY DNV GL  
= ISO 9001:2015 =



TIPO TYPE	CODICE CODE	DIMENSIONI - DIMENSIONS											Portata Charge ton.	Peso Weight kg	
		A	B	B tot.	C	ØD	E	F	ØG	H°	Hg°	ØCil.			
5	14000200056	330	215	290	165		45					26°	170	22	22
6	14000200065	390	235	310	205	50	65	55	50	30°	23°	190	23	29	
7	14000200074	400	255	350			65	55	55		55	25°	215	25	32
8	14000200083	460	277	380	250	55	68	55	55	34°	27°	240	25	53	