

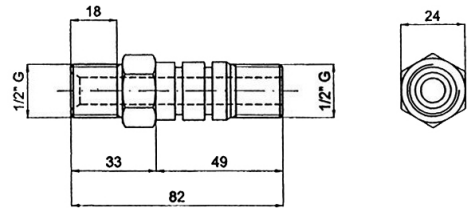
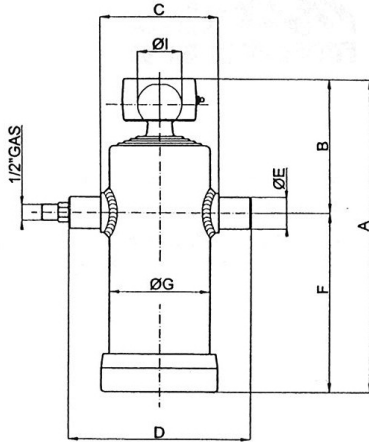
MARTINETTI COMPLETI DI CULLA - SERIE LEGGERA TELESCOPIC CYLINDER COMPLETE WITH CRADLE - LIGHT SERIES

CODICE FAMIGLIA
FAMILY CODE

139990

16/12/2019

99740013910



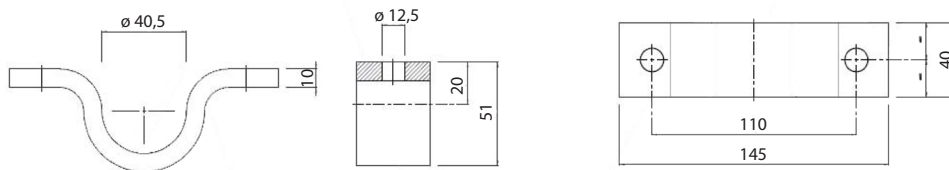
Zincati / Zinc plated:
13999000189 / 13999000198
13999010187 / 13999010196
13999000296

MARTINETTO TELESCOPIC CYLINDER	MARTINETTO* TELESCOPIC CYLINDER	Corsa Stroke mm	N° Sfilate Extensions n° N°	Ø Sfilata (mm) e Spinta (ton) Extension Ø (mm) and Capacity (ton)						Dimensioni d'ingombro Cylinder dimensions							Peso Weight Kg	Volume olio Oil volume l				
				32 ton. 1,4	45 ton. 2,9	60 ton. 5,1	75 ton. 7,9	90 ton. 11,4	105 ton. 15,6	A	B	C	D	E Ø	F	G Ø			I Ø			
13999010203	13999000205	825	4							356						199					20,5	3,1
13999010221	13999000223	950		386	157	148	228	40	229	110	45					22,2	3,6					
13999010249	13999000241	1200		441					284							25,4	4,6					
13999010552	13999000170	1460	5							446						286					31,5	7
13999010187	13999000189	1050		361	160	148	228	40	201	125	45					25,2	5					
13999010196	13999000198	1200		391					231							27,3	5,7					
13999010294	13999000296	1160		6												22,4	5,4					

* Completo di supporti e culla / C/W cradle and supports

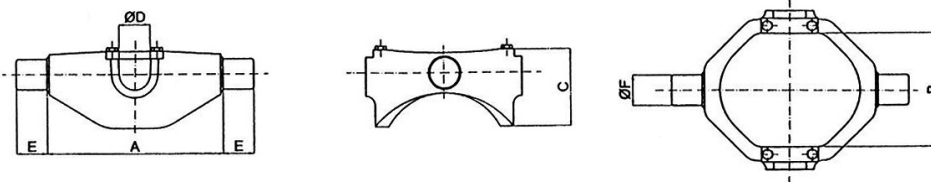
PRESSIONE MAX. DI ESERCIZIO 180 BAR - WORKING MAX. PRESSURE 180 BAR

SUPPORTI+PIASTRINA / SUPPORTS+PLATE



14099500074

CULLE PER MARTINETTI / CRADLES FOR CYLINDERS



TIPO TYPE	CODICE CODE	DIMENSIONI - DIMENSIONS						Angolo d'inclinazione Tilting angle	Portata Capacity ton	Peso Weight kg
		A	B	C	ØD	E	ØF			
3	14000210036	230	150	105	40	40	40	60°	10	8,2

pag.27



O.M.F.B. S.p.A. Hydraulic Components
We reserve the right to make any changes without notice.
Edition 2006.10 No reproduction, however partial, is permitted.
Via Cave, 7/9 25050 Provaglio d'Iseo (Brescia) Italy Tel.: +39.030.9830611
Fax: +39.030.9839207-208 Internet:www.omfb.it e-mail:contatti@omfb.it

COMPANY WITH
QUALITY SYSTEM
CERTIFIED BY DNV GL
= ISO 9001:2015 =

16/12/2019

99713999001 Rev. AC