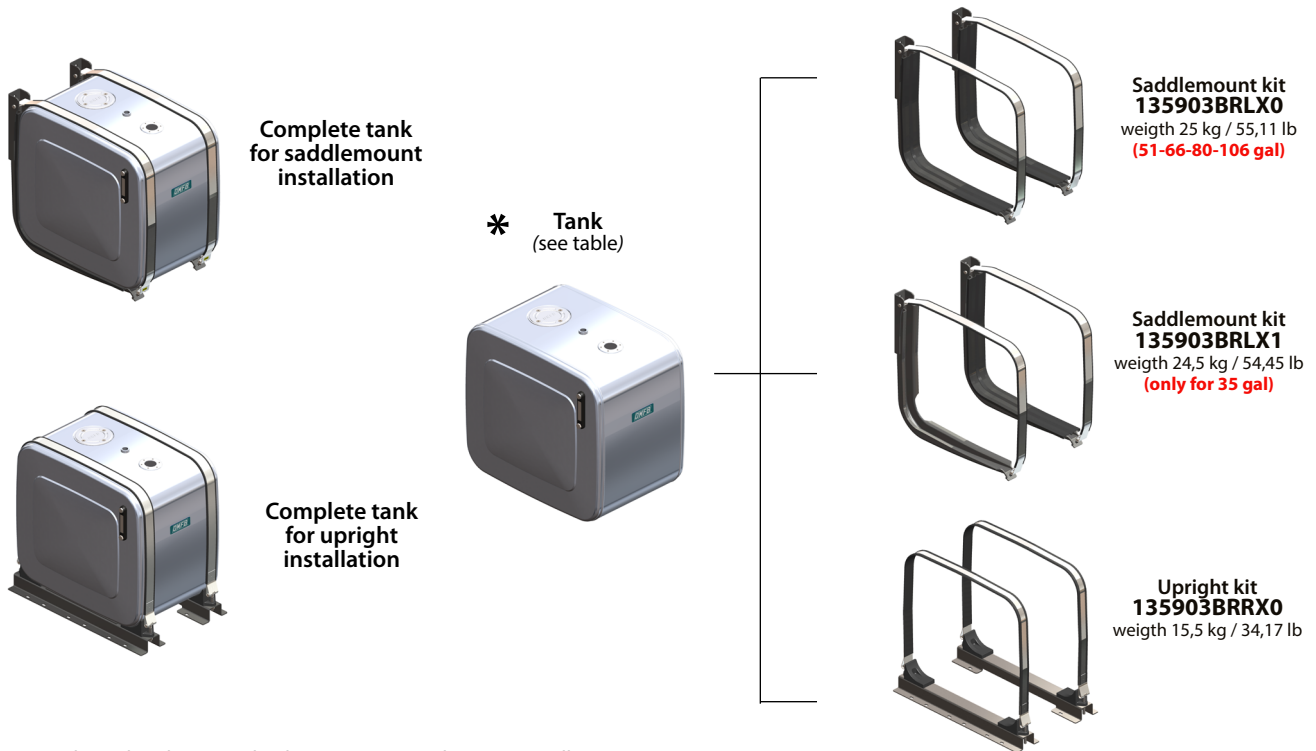


Based on the latest technology, these steel tanks are produced to ensure maximum reliability and longer lifetime as well as an exterior aspect that can be perfectly integrated. High versatility is granted by a wide choice of available accessories.

The blank flange is provided included in the standard equipment.



Filler cap to be ordered separately, choosing among plastic or metallic version.

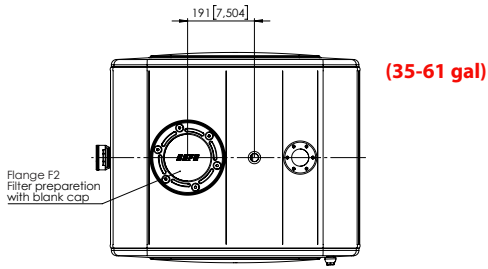
ALUMINIUM							
Filling capacity		Tank code *	Suction ports 2x	Return port	Filter flange	Weight	
lt	gal					kg	lb
135	35	HUANBR03540	1" 1/2 NPT	1" 1/4 NPT	F4 (115mm)	12,6	27,77
200	51	HUANBR05040	2" NPT		F4 (115mm)	15,5	34,17
250	66	HUANBR06040		F2 (175mm)	17,4	38,36	
300	80	HUANBR07340		F2 (175mm)	19,5	43	
400	106	HUANBR10040	2" NPT	2" NPT	F2 (175mm)	24,1	53,13

COATED STEEL (RAL 7021) double powder coating (primer + final layer)							
Filling capacity		Tank code *	Suction ports 2x	Return port	Filter flange	Weight	
lt	gal					kg	lb
135	35	HUGNBR03540	1" 1/2 NPT	1" 1/4 NPT	F4 (115mm)	25,5	56,2
200	51	HUGNBR05040	2" NPT		F4 (115mm)	30,7	67,6
250	66	HUGNBR06040		F2 (175mm)	34,2	75,4	
300	80	HUGNBR07340		F2 (175mm)	39,7	87,5	
400	106	HUGNBR10040	2" NPT	2" NPT	F2 (175mm)	50	110,2

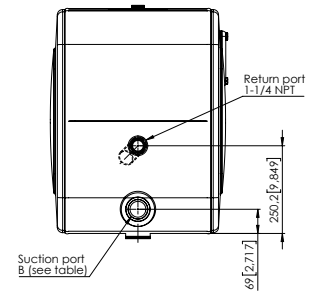
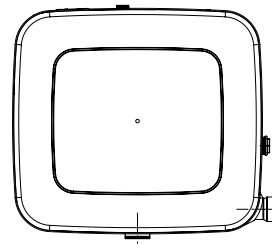
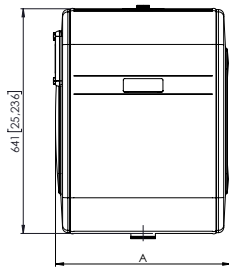
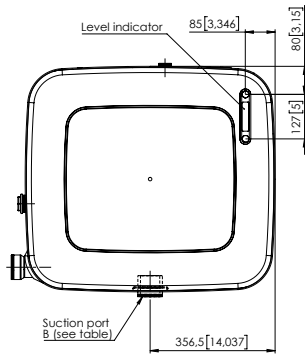
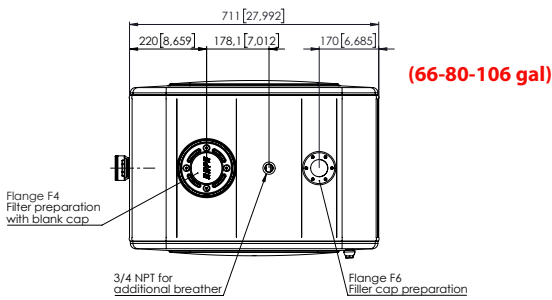


* Part Number for oil tank only, without mounting kit. Mounting kit to be ordered separately, choosing among saddlemount or upright versions.

Tank dimensions

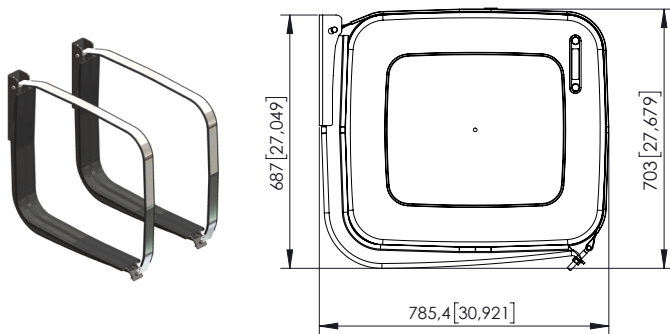


		A		Oil level min. capacity		Oil level max. capacity	
lt	gal	mm	inch	lt	gal	lt	gal
135	35	350	13,78	100,3	26,5	118,9	31,4
200	51	500	19,68	146,9	38,8	174,11	46
250	66	600	23,62	177,9	47	211,2	55,8
300	80	730	28,74	218,8	57,8	259,3	68,5
400	106	1000	39,37	302,8	80	358,8	94,8



Tank with kit dimensions

Saddlemount installation



Upright installation

