

The oil tanks of this range can satisfy side or rear of cabin mounting requirements with one product only, thanks to dedicated mounting kits that help to reduce stock. Both mounting kits enjoy of sturdy brackets provided of universal hole pattern that allows greater versatility ensuring quick and safe mounting on every kind of chassis. All these tanks are built by using of high quality raw materials and adopting the latest technologies in terms of robot welding and assembling. It results a modern and nice looking appearance combined with reliability and strength for every applications.

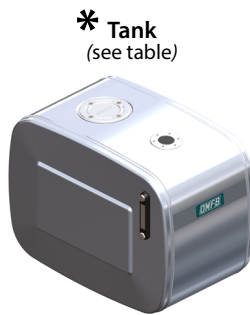
The blank flange is provided included in the standard equipment.



Complete tank for saddlemount installation



Complete tank for upright installation



* Tank (see table)



Saddlemount kit
135903BPLX6
weigh 19,5 kg / 43 lb

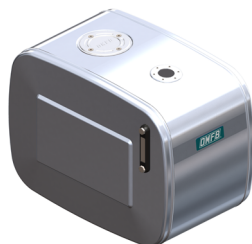


Upright kit
135903BPRX0
weigh 18 kg / 39,6 lb

Filler cap to be ordered separately, choosing among plastic or metallic version.

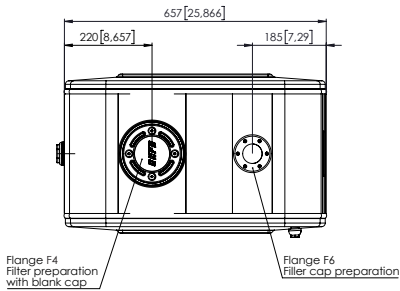
ALUMINIUM							
Filling capacity		* Tank code	Suction ports 2x	Return port	Filter flange	Weight	
lt	gal					kg	lb
105	28	HUANBP04040				10,4	22,9
120	32	HUANBP04540	1" 1/2 NPT	1" 1/4 NPT	F4 (115mm)	11,1	24,4
150	40	HUANBP05540				12,2	26,9

COATED STEEL (RAL 7021) double powder coating (primer + final layer)							
Filling capacity		* Tank code	Suction ports 2x	Return port	Filter flange	Weight	
lt	gal					kg	lb
105	28	HUGNBP04040				28,5	62,8
120	32	HUGNBP04540	1" 1/2 NPT	1" 1/4 NPT	F4 (115mm)	29,9	65,9
150	40	HUGNBP05540				33	72,7

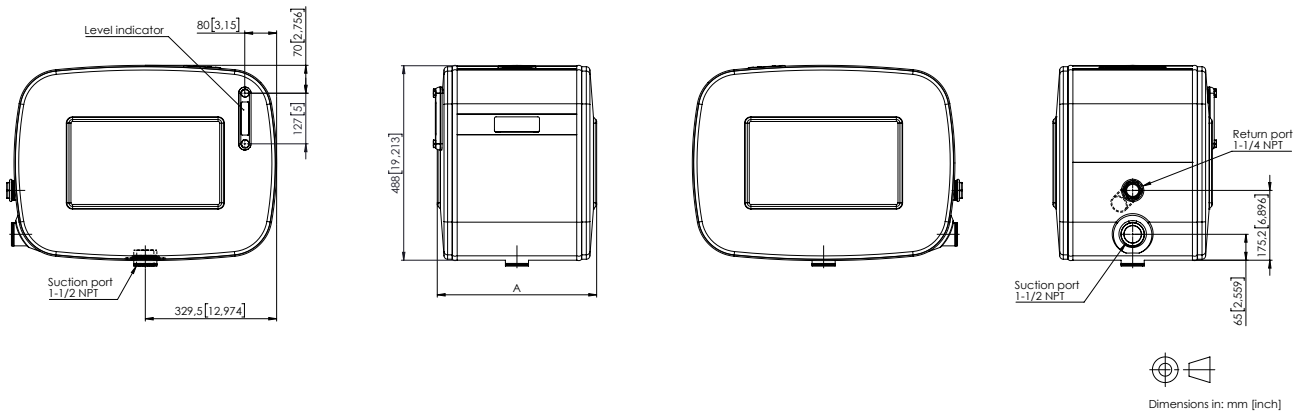


* Part Number for oil tank only, without mounting kit. Mounting kit to be ordered separately, choosing among saddlemount or upright versions.

Tank dimensions

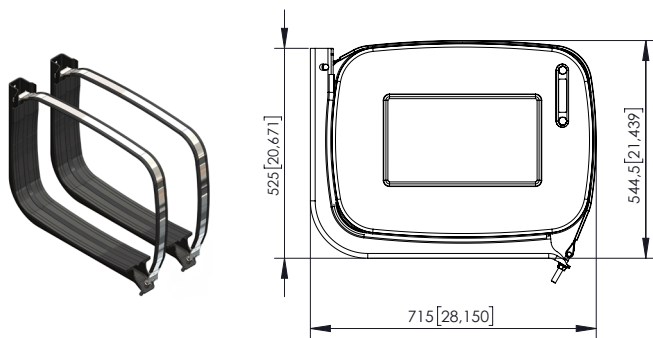


		A		Oil level min. capacity		Oil level max. capacity	
lt	gal	mm	inch	lt	gal	lt	gal
105	28	400	15,74	72	19	92,7	24,5
120	32	450	17,71	81,4	21,5	104	27,5
150	40	550	21,65	100,3	26,5	128,7	34



Tank with kit dimensions

Saddlemount installation



Upright installation

