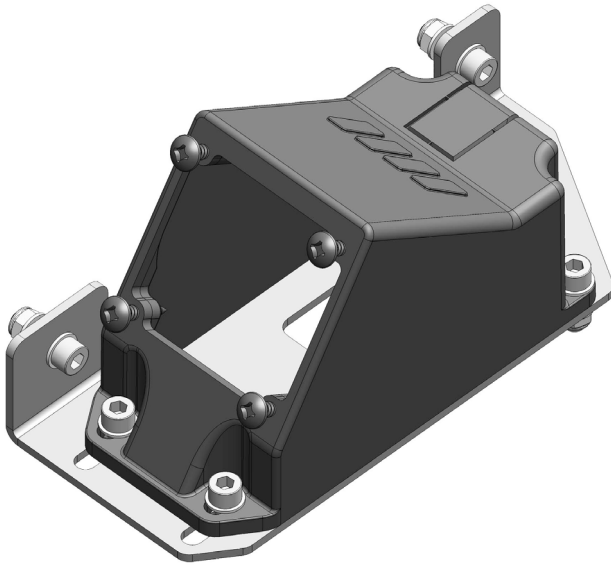


**SUPPORTO INCLINATO N-FORCE
CON STAFFA PER DAF XF
BRACKET KIT FOR N-FORCE
FOR DAF XF**

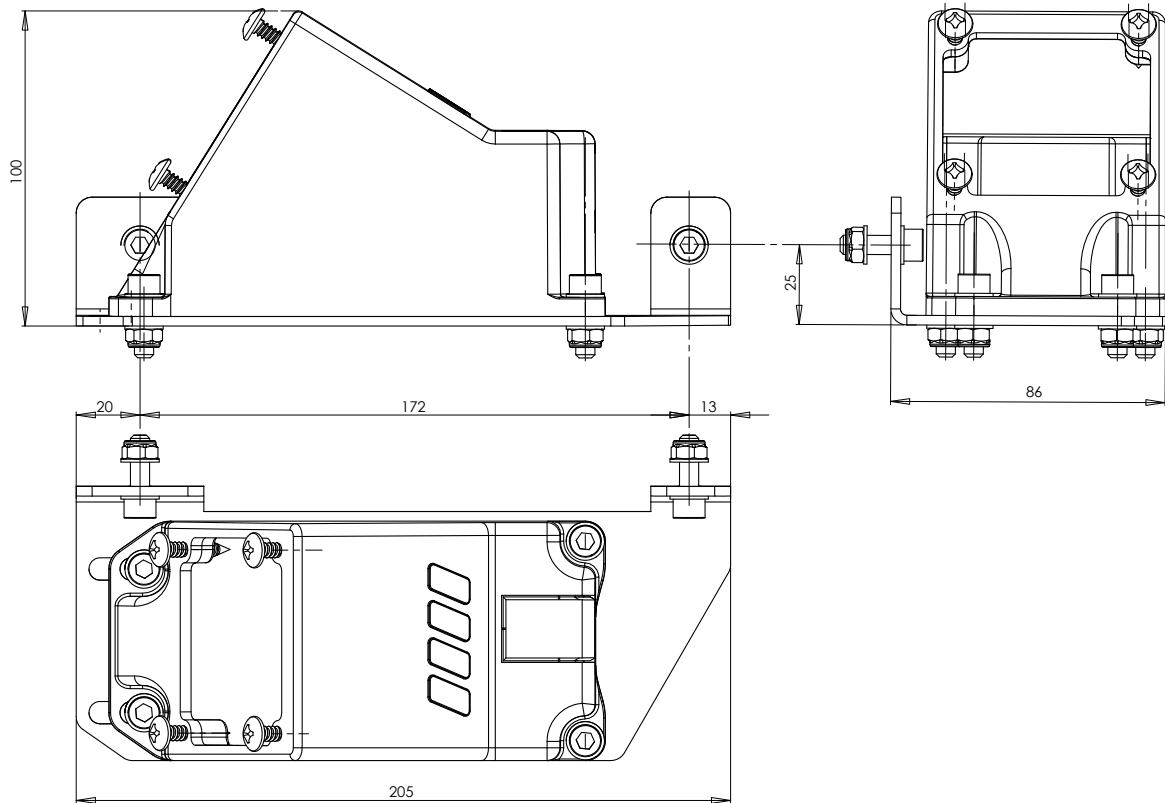
**CODICE ORDINAZIONE
ORDER CODE**

10000270172



Kit appositamente studiato per fissare i deviatori pneumatici serie N-FORCE sul supporto sedile del veicolo DAF XF.

Kit especially designed to mount air controls type N-FORCE on driver's seat of DAF XF.



Data: Venerdì 05 novembre 2010

Codice foglio:99710002701 Rev: //

pag.1

O.M.F.B. S.p.A. Hydraulic Components

We reserve the right to make any changes without notice.

Edition 2010.11 No reproduction, however partial, is permitted.

Via Cave, 7/9 25050 Provaglia d'Iseo (Brescia) Italy Tel.: +39.030.9830611
Fax: +39.030.9839207-208 Internet:www.omfb.it e-mail:contatti@omfb.it

OMFB

HYDRAULIC COMPONENTS

**COMPANY WITH
QUALITY SYSTEM
CERTIFIED BY DNV GL
= ISO 9001:2015 =**



- 1 – Sedersi al posto di guida ed individuare la posizione corretta del gruppo montato.
- 2 – Segnare la posizione dei fori, forare \varnothing 6.5mm e fissare con le viti fornite.

- 1 - Sit at driver's seat and find out the correct position for the assembly.
- 2 - Take the marks of fixing holes and drill \varnothing 6.5mm holes. Fix then with the supplied screws.



ATTENZIONE: tutte le operazioni relative al montaggio, devono essere eseguite **IN SICUREZZA** secondo le norme vigenti.

ATTENTION: all the operations related to the assembling of these components have to be carried out in respect of the current **SAFETY** regulations in place

pag.2

COMPANY WITH
QUALITY SYSTEM
CERTIFIED BY DNV GL
= ISO 9001:2015 =

O.M.F.B. S.p.A. Hydraulic Components
We reserve the right to make any changes without notice.
Edition 2010.11 No reproduction, however partial, is permitted.
Via Cave, 7/9 25050 Provaglio d'Iseo (Brescia) Italy Tel.: +39.030.9830611
Fax: +39.030.9839207-208 Internet:www.omfb.it e-mail:contatti@omfb.it

