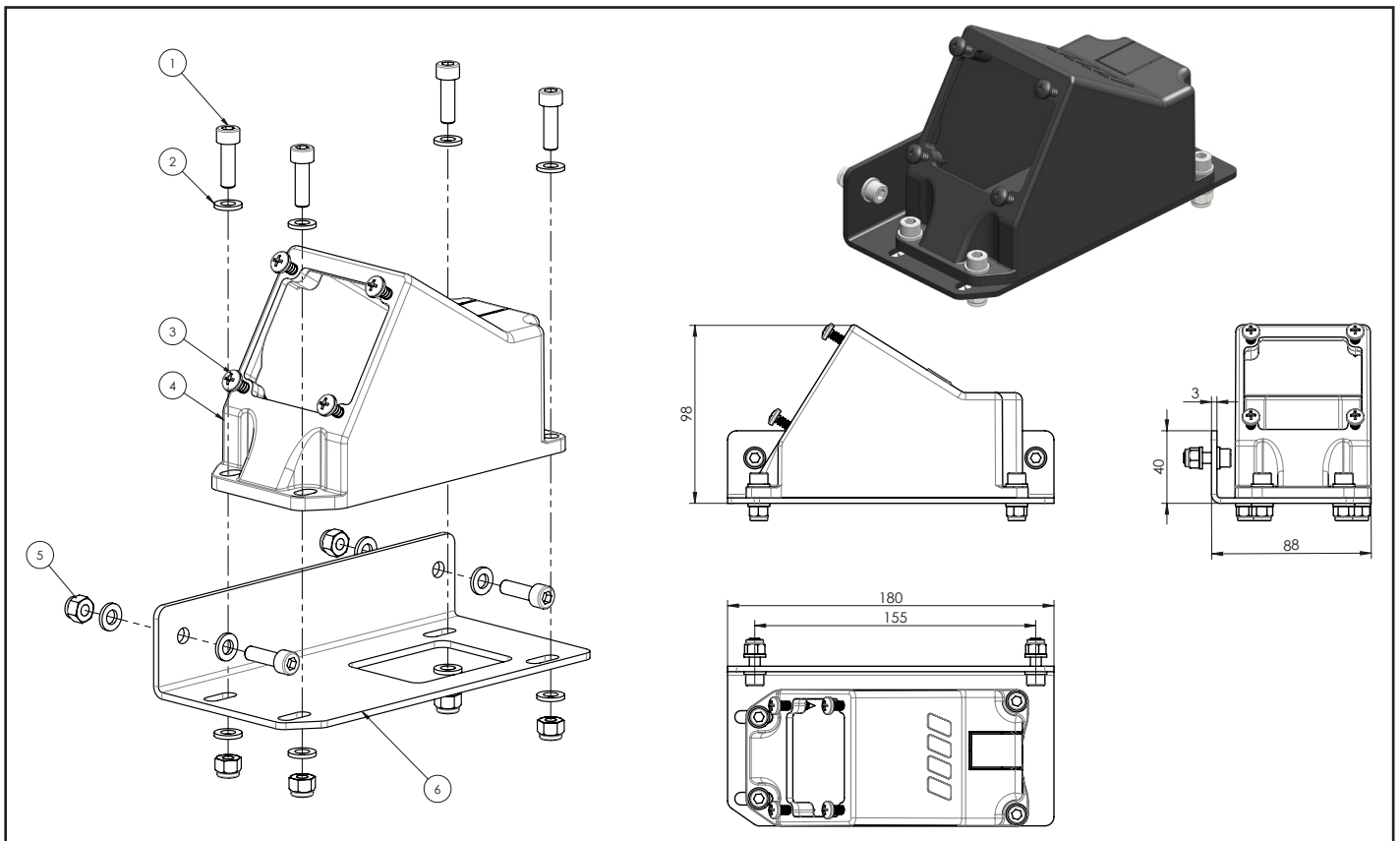


# SUPPORTO INCLINATO N-FORCE + STAFFA PER FORD

CODICE  
CODE

**10000270458**

## ANGLED BRACKET FOR N-FORCE AIR CONTROL C/W PLATE FOR FORD



Pos.	Codice Code	Descrizione	Description	Q.
1	50200200450	Vite TCE M6x20 UNI5931	Screw TCE M6x20 UNI5931	6
2	50100700046	Rondella piana x M 6	Washer x M 6	12
3	50201200127	Vite 4,8x25 ISO 7049	Screw 4,8x25 ISO 7049	4
4	50900001108	Supporto plastica inclinato	Plastic bracket	1
5	50501000016	Dado autobloccante x M 6	Self-blocking nut M6	6
6	53800403656	Staffa	Plate	1
	10001700053	Raccordo aria a "T"	Fitting air "T"	1
	50102000067	Rosetta elastica x M6	Washer M6	2
	50103000618	Inseri M6 (alternativa al numero 5)	Insert M6 (alternative to 5)	2



Data: Venerdì 3 luglio 2020

Codice foglio: 99710000245 Rev: //

pag.1

O.M.F.B. S.p.A. Hydraulic Components

We reserve the right to make any changes without notice.

Edition 2020.01 No reproduction, however partial, is permitted.

Via Cave, 7/9 25050 Provaglio d'Iseo (Brescia) Italy Tel.: +39.030.9830611  
Fax: +39.030.9839207-208 Internet:www.omfb.it e-mail:contatti@omfb.it

COMPANY WITH  
QUALITY SYSTEM  
CERTIFIED BY DNV GL  
= ISO 9001:2015 =

**OMFB**

HYDRAULIC COMPONENTS