

# KIT DI MONTAGGIO PER CAMBI TWINSPLITTER CON RETARDER

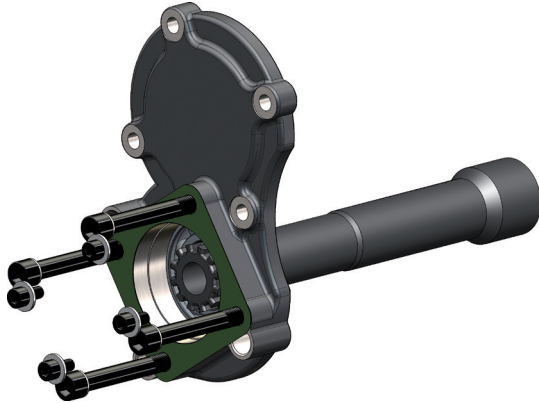
MOUNTING KIT FOR TWINSPLITTER  
WITH RETARDER GEARBOX

CODICE KIT  
KIT CODE

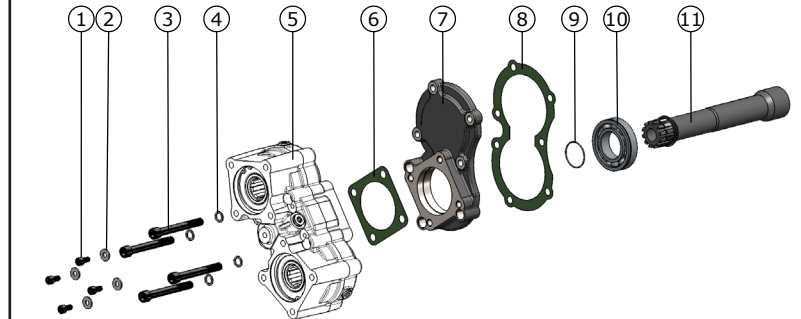
**09703652020**

CODICE PTO  
PTO CODE

**010036**



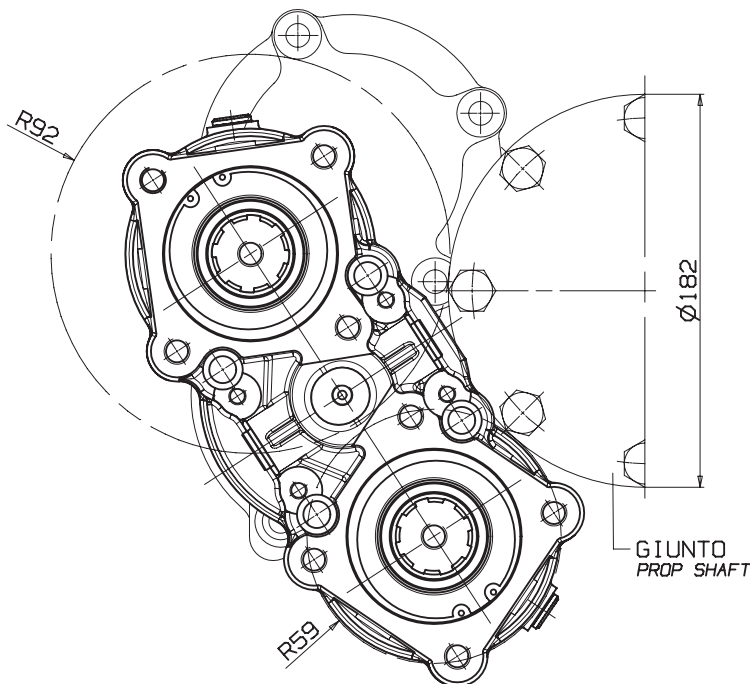
## Componenti / Kit components



Pos.	Codice / Code	Qt.	Descrizione / Description	
1	50200300520	4	Vite TCE M 8x14	Screw TCE M 8x14
2	50100710080	4	Rondella piana	Flat washer
3	50200500715	4	Vite TCE M 12x100	Screw TCE M 12x100
4	50102500124	4	Rondella acciaio	Steel washer
5	010036	1	PTO - non inclusa nel kit	PTO-not included in the kit
6	50700100086	1	Guarnizione finestra	Window gasket
7	52800700684	1	Flangia	Flange
8	50700100424	1	Guarnizione finestra	Window gasket
9	51200000068	1	Anello	Ring
10	51000300489	1	Cuscinetto	Pad
11	52100000809	1	Albero	Quill shafts

## Spazio disponibile per applicazioni

Prop shaft clearance



pag.1

O.M.F.B. S.p.A. Hydraulic Components

We reserve the right to make any changes without notice.

Edition 2008.09 No reproduction, however partial, is permitted.

Via Cave, 7/9 25050 Provaglio d'Iseo (Brescia) Italy Tel.: +39.030.9830611  
Fax: +39.030.9839207-208 Internet:www.omfb.it e-mail:info@omfb.it

COMPANY WITH  
QUALITY SYSTEM  
CERTIFIED BY DNV GL  
= ISO 9001 =

**OMFB**

HYDRAULIC COMPONENTS