

KIT DI MONTAGGIO PER CAMBI TWINSPLITTER SENZA RETARDER

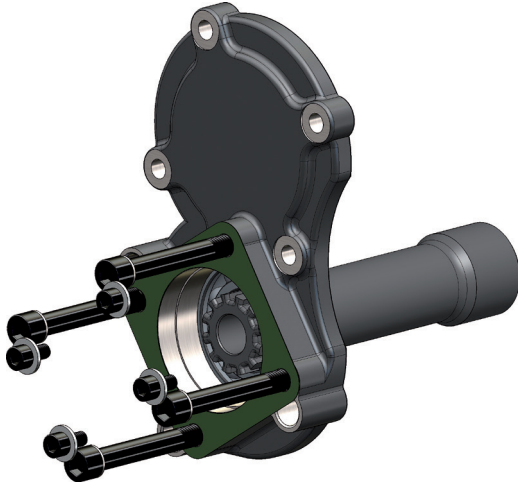
MOUNTING KIT FOR TWINSPLITTER
WITHOUT RETARDER GEARBOX

CODICE KIT
KIT CODE

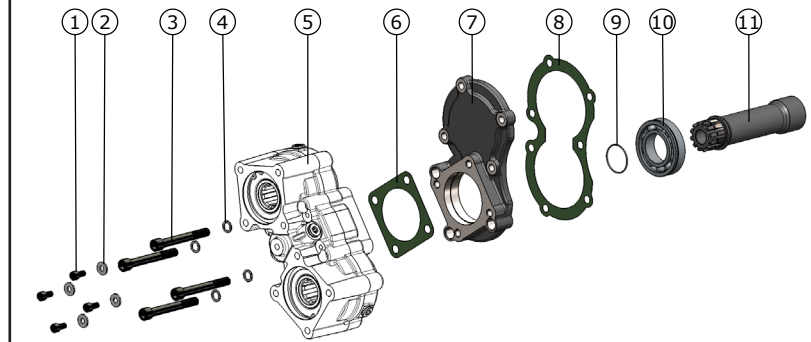
09703652011

CODICE PTO
PTO CODE

010036

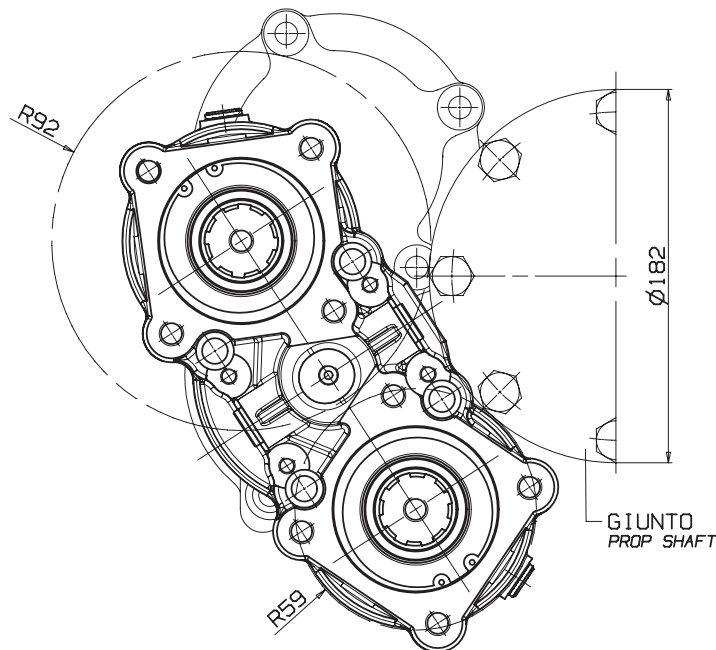


Componenti / Kit components



Pos.	Codice / Code	Qt.	Descrizione / Description	
1	50200300520	4	Vite TCE M 8x14	Screw TCE M 8x14
2	50100710080	4	Rondella piana	Flat washer
3	50200500715	4	Vite TCE M 12x100	Screw TCE M 12x100
4	50102500124	4	Rondella acciaio	Steel washer
5	010036	1	PTO - non inclusa nel kit	PTO-not included in the kit
6	50700100086	1	Guarnizione finestra	Window gasket
7	52800700684	1	Flangia	Flange
8	50700100424	1	Guarnizione finestra	Window gasket
9	51200000068	1	Anello	Ring
10	51000300489	1	Cuscinetto	Pad
11	52100000578	1	Albero	Quill shafts

Spazio disponibile per applicazioni / Prop shaft clearance



pag.1

O.M.F.B. S.p.A. Hydraulic Components

We reserve the right to make any changes without notice.

Edition 2008.09 No reproduction, however partial, is permitted.

Via Cave, 7/9 25050 Provaglio d'Iseo (Brescia) Italy Tel.: +39.030.9830611

Fax: +39.030.9839207-208 Internet:www.omfb.it e-mail:info@omfb.it

COMPANY WITH
QUALITY SYSTEM
CERTIFIED BY DNV GL
= ISO 9001 =

OMFB

HYDRAULIC COMPONENTS