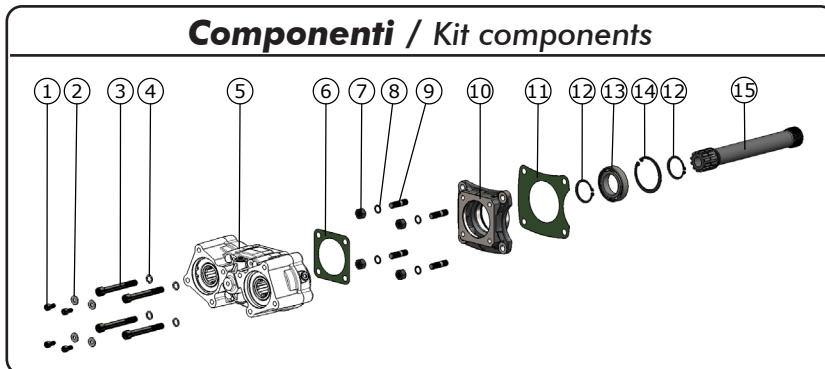
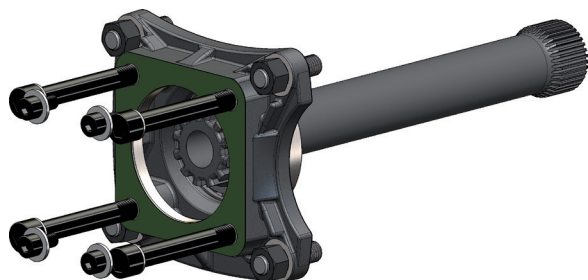


**KIT DI MONTAGGIO
PER CAMBI VOLVO VT/VTO
+ RETARDER VOITH**
**MOUNTING KIT FOR VOLVO VT/VTO
+ RETARDER VOITH GEARBOX**

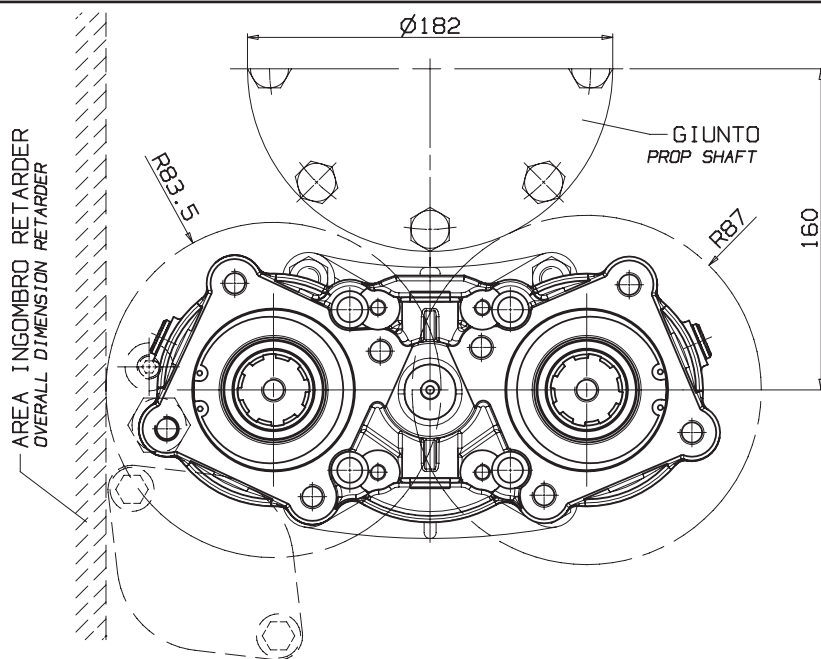
CODICE KIT
KIT CODE **09703626031**

CODICE PTO
PTO CODE **010036**



Pos.	Codice / Code	Qt.	Descrizione / Description	
1	50200300520	4	Vite TCE M 8x14	Screw TCE M 8x14
2	50100710080	4	Rondella piana	Flat washer
3	50200500715	4	Vite TCE M 12x100	Screw TCE M 12x100
4	50102500124	4	Rondella acciaio	Steel washer
5	010036	1	PTO - non inclusa nel kit	PTO-not included in the kit
6	50700100086	1	Guarnizione finestra	Window gasket
7	50500000250	4	Dado M12 CH17 H12	Nut M12 CH17 H12
8	50101800632	4	Rosetta elastica convessa	Convex spring washer
9	50300500213	4	Prigionieri M12x28	Stud M12x28
10	52800700675	1	Flangia	Flange
11	50700100237	1	Guarnizione finestra	Window gasket
12	50100200425	2	Anello seeger 45 E	Seeger ring 45 E
13	51000145755	1	Cuscinetto	Pad
14	50100100695	1	Anello seeger 75 I	Seeger ring 75 I
15	52100000934	1	Albero	Quill shafts

Spazio disponibile per applicazioni / Prop shaft clearance



pag.1

O.M.F.B. S.p.A. Hydraulic Components

We reserve the right to make any changes without notice.

Edition 2008.09 No reproduction, however partial, is permitted.

Via Cave, 7/9 25050 Provaglio d'Iseo (Brescia) Italy Tel.: +39.030.9830611
Fax: +39.030.9839207-208 Internet:www.omfb.it e-mail:info@omfb.it

**COMPANY WITH
QUALITY SYSTEM
CERTIFIED BY DNV GL
= ISO 9001 =**

OMFB

HYDRAULIC COMPONENTS