

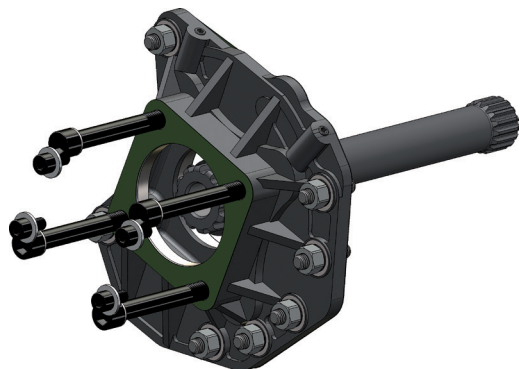
KIT DI MONTAGGIO PER CAMBI MERCEDES G210-G330+RETARDER MOUNTING KIT FOR MERCEDES G210-G330+RETARDER GEARBOX

CODICE KIT
KIT CODE

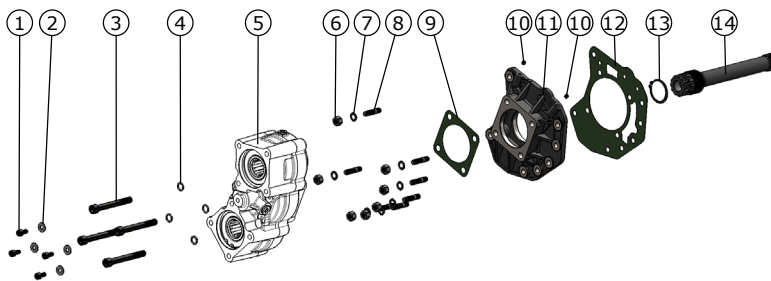
09703616024

CODICE PTO
PTO CODE

010036

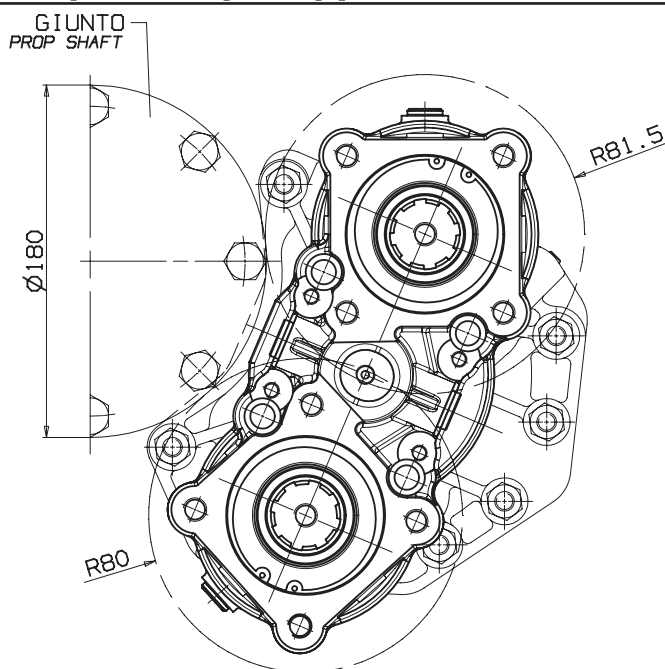


Componenti / Kit components



| Pos. | Codice / Code | Qt. | Descrizione / Description | |
|------|---------------|-----|---------------------------|-----------------------------|
| 1 | 50200300520 | 4 | Vite TCE M 8x14 | Screw TCE M 8x14 |
| 2 | 50100710080 | 4 | Rondella piana | Flat washer |
| 3 | 50200500715 | 4 | Vite TCE M 12x100 | Screw TCE M 12x100 |
| 4 | 50102500124 | 4 | Rondella acciaio | Steel washer |
| 5 | 010036 | 1 | PTO - non inclusa nel kit | PTO-not included in the kit |
| 6 | 50500400050 | 7 | Dado M10 CH17 H10 | Nut M10 CH17 H10 |
| 7 | 50101800105 | 7 | Rosetta elastica convessa | Convex spring washer |
| 8 | 50300400198 | 7 | Prigionieri M10x30 | Stud M10x30 |
| 9 | 50700100086 | 1 | Guarnizione finestra | Window gasket |
| 10 | 50401000018 | 2 | Grano | Gear |
| 11 | 52800700862 | 1 | Flangia | Flange |
| 12 | 50700100460 | 1 | Guarnizione finestra | Window gasket |
| 13 | 50100200425 | 1 | Anello seeger | Seeger ring |
| 14 | 52100000952 | 1 | Albero | Quill shafts |

Spazio disponibile per applicazioni / Prop shaft clearance



pag.1

O.M.F.B. S.p.A. Hydraulic Components

We reserve the right to make any changes without notice.

Edition 2008.09 No reproduction, however partial, is permitted.

Via Cave, 7/9 25050 Provaglio d'Iseo (Brescia) Italy Tel.: +39.030.9830611
Fax: +39.030.9839207-208 Internet:www.omfb.it e-mail:info@omfb.it

COMPANY WITH
QUALITY SYSTEM
CERTIFIED BY DNV GL
= ISO 9001 =

OMFB

HYDRAULIC COMPONENTS