

KIT DI MONTAGGIO PER CAMBI MERCEDES G281 - 12 POWERSHIFT3 + AQUATARDER

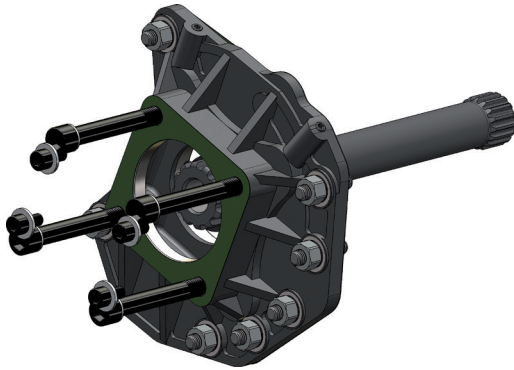
CODICE KIT
KIT CODE

09703916021

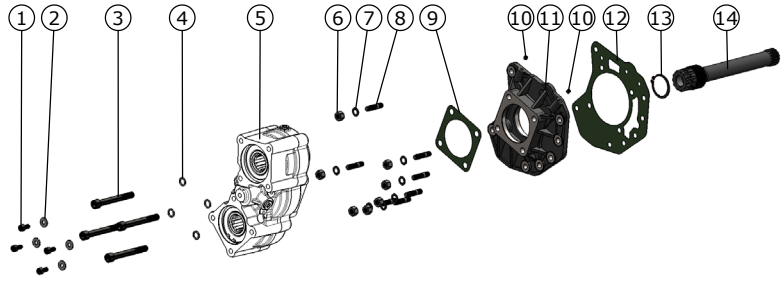
MOUNTING KIT FOR MERCEDES G281 - 12 POWERSHIFT3 + AQUATARDER GEARBOX

CODICE PTO
PTO CODE

010039

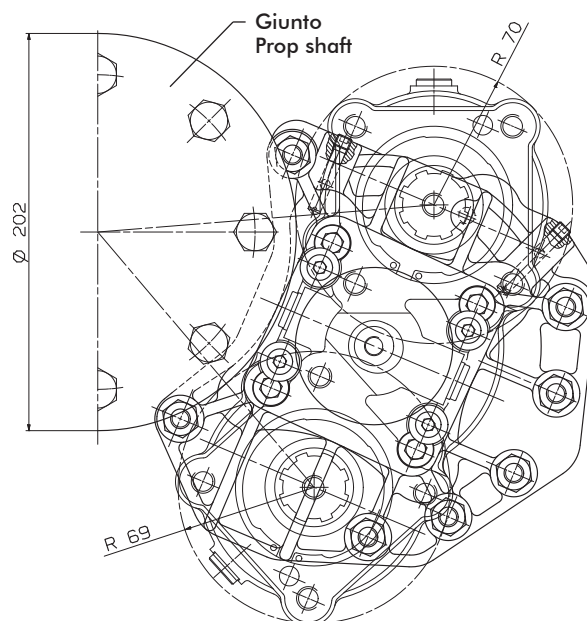


Componenti / Kit components



Pos.	Codice / Code	Qt.	Descrizione / Description	
1	50200300520	4	Vite TCE M 8x14	Screw TCE M 8x14
2	50100710080	4	Rondella piana	Flat washer
3	50200500715	4	Vite TCE M 12x100	Screw TCE M 12x100
4	50102500124	4	Rondella acciaio	Steel washer
5	010039	1	PTO - non inclusa nel kit	PTO-not included in the kit
6	50500400050	7	Dado M10 CH17 H10	Nut M10 CH17 H10
7	50101800105	7	Rosetta elastica convessa	Convex spring washer
8	50300400198	7	Prigionieri M10x30	Stud M10x30
9	50700100086	1	Guarnizione finestra	Window gasket
10	50401000018	2	Grano	Gear
11	52800700862	1	Flangia	Flange
12	50700100460	1	Guarnizione finestra	Window gasket
13	50100200425	1	Anello seeger	Seeger ring
14	52100001317	1	Albero	Quill shafts

Spazio disponibile per applicazioni / Prop shaft clearance



pag.1

O.M.F.B. S.p.A. Hydraulic Components

We reserve the right to make any changes without notice.

Edition 2008.09 No reproduction, however partial, is permitted.

Via Cave, 7/9 25050 Provaglio d'Iseo (Brescia) Italy Tel.: +39.030.9830611
Fax: +39.030.9839207-208 Internet:www.omfb.it e-mail:info@omfb.it

COMPANY WITH
QUALITY SYSTEM
CERTIFIED BY DNV GL
= ISO 9001 =

OMFB

HYDRAULIC COMPONENTS