

ALBERO DI CORREDO QUILL SHAFT

CODICE
CODE

09301044019
09301044037

"ZF ECOSPLIT SU VEICOLI 4 ASSI"
"ZF ECOSPLIT ON 4 AXLES VEICLES"

ZF



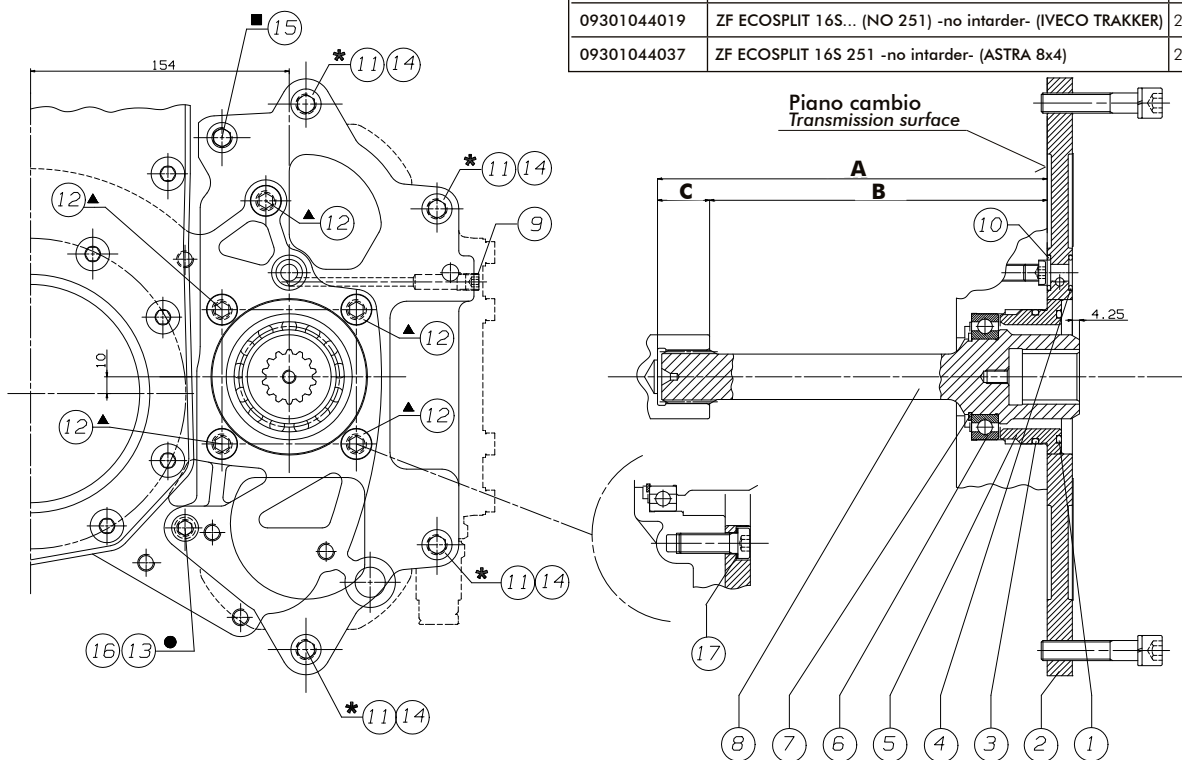
Kit albero adatto solo per PTO tipo HIGH-POWER cod. 1044-.....
In fase di montaggio della PTO sul cambio si raccomanda di rispettare le istruzioni allegate cod. istruzione 99700101542.

Quill shaft suitable only for PTO HIGH-POWER p/n 1044-.....
Please follow attached instructions p/n 99700101542.

02/03/2021

99740009310

Codice / Code	Tipo cambio-Veicolo / Gearbox type -Vehicle	A	B	C
09301044019	ZF ECOSPLIT 16S... (NO 251) -no intarder- (IVECO TRAKKER)	232	201	31
09301044037	ZF ECOSPLIT 16S 251 -no intarder- (ASTRA 8x4)	266	230	36



N°	Codice/Code	Descrizione/Description	Q.
1	50600604275	O-ring 4275 FKM/FPM	1
2	51500701537	Flangia intermedia per fissaggio PTO / Intermediate flange for PTO anchorage	1
3	50600604287	O-ring 4287 FKM/FPM	1
4	50600603062	O-ring 3062 FKM/FPM	2
5	53400200515	Anello di centraggio / Centering ring	1
6	51000100356	Cuscinetto a sfere / Ball bearing 45x75x16	1
7	50100200425	Anello seeger / Seeger ring E 45	1
8	52100001059	Albero di corredo ZF ECOSPLIT 16S... (NO 251) -no intarder- (IVECO TRAKKER) ZF ECOSPLIT 16S... (NO 251) -no intarder- (IVECO TRAKKER) quill shaft	1
	52100001273	Albero di corredo ZF ECOSPLIT 16S 251 -no intarder- (ASTRA 8x4) ZF ECOSPLIT 16S 251 -no intarder- (ASTRA 8x4) quill shaft	
9	50401000063	Grano conico 1/8"G / Plug	1
10	50600600332	O-ring 3043 FKM/FPM	1
11	50200500608	Vite TCE / TCE Screws M12x60 UNI 5931	4
12	50200000265	Vite TCE / TCE Screws M12x35 DIN 7984	5
13	50200400645	Vite TCE / TCE Screws M10x75 UNI 5931	1
14	50100800063	Rondella elastica x M12/ Washer	5
15	50200500573	Vite TCE / TCE Screws M12x45 UNI 5931	1
16	50100800054	Rondella elastica x M10/ Washer	1
17	50102000129	Rondella elastica x M12 SCHNORR/ Washer	5

pag.95

OMFB
HYDRAULIC COMPONENTS

O.M.F.B. S.p.A. Hydraulic Components

We reserve the right to make any changes without notice.

Edition 2007.12 No reproduction, however partial, is permitted.

Via Cave, 7/9 25050 Provaglio d'Iseo (Brescia) Italy Tel.: +39.030.9830611
Fax: +39.030.9839207-208 Internet:www.omfb.it e-mail:contatti@omfb.it

COMPANY WITH
QUALITY SYSTEM
CERTIFIED BY DNV GL
= ISO 9001:2015 =

16/01/2012

99709310019 Rev.: AA