

COMPOSIZIONE KIT IDRAULICO PTO MECCANICA/VALVOLA ELETTRICA

089

HYDRAULIC KIT LAYOUT MECHANICAL PTO/ELECTRIC VALVE

MEC-ELT

Cambio Gearbox	Codice ordinazione Order code	①	③		④	
		Codice PTO PTO code	Pompa a ingranaggi Gear pumps		Kit serbatoio + valvola Valve + Tank kit	
IVECO DAILY 2815/2819	089-600-11022	001-046-00138	105-003-00326	NPLA 32	146-026-10125	
IVECO DAILY 2822/2824/2826	089-600-21020	001-047-00137				
IVECO 2828/2831	089-600-31028	001-042-00132	105-003-00406	NPLA 40	146-026-10241	
IVECO 2840.6	089-600-41017	001-071-00137	105-003-50166	KIPP 16	146-026-10125	
IVECO 2840.6	089-600-41026	001-072-00136				
IVECO 2835.6	089-600-51015	001-074-00134				
IVECO 2850.6	089-600-61013	001-073-00135				
ZF 18/3	089-601-11021	009-003-00133	105-003-00326	NPLA 32	146-026-10125	
ZF 5S-200	089-601-21029	001-058-00134	105-003-50166	KIPP 16		
ZF 6S-300	089-601-31027	001-059-00133				
ZF 6S-380 VO	089-601-41016	001-064-00136				
ZF 6S-420	089-601-51014	009-056-00130				
ZF 6S-420	089-601-51023	009-056-00130				
NISSAN M5-25C	089-602-11020	065-002-00136				
NISSAN M5-25D/E/F	089-602-21028	065-006-00132				
NISSAN M5-35	089-602-31017	065-009-00139				
NISSAN M5-40	089-602-41015	065-011-00135				
ISUZU MSB 5R/5S	089-603-11038	071-080-10137				105-003-50200
ISUZU MXA 5R/6R	089-603-21036	071-075-10134	105-003-50166	KIPP 16		146-026-10241
ISUZU MBP 6Q/6R	089-603-31034	071-081-00138				146-026-10125
ISUZU MYY 5T/5D/5R/6P	089-603-41014	071-078-10131				146-026-10241
ISUZU MYY 5T/5D/5R/6P	089-603-41023	071-078-10131			146-026-15246	
ISUZU MZZ 6F/6S/6R	089-603-51012	071-076-10133			146-026-10125	
ISUZU MZZ 6F/6S/6R	089-603-51021	071-076-10133			146-026-10241	
ISUZU MYY 5A/S	089-603-61010	071-079-10130			146-026-10125	
ISUZU MYY 5A/S	089-603-61029	071-079-10130			146-026-10241	
MITSUBISHI M015S5	089-604-31015	067-073-00137	105-003-00255	NPLA 25	146-026-10125	
MITSUBISHI M035S5	089-604-41013	067-071-00139	105-003-50200	KIPP 20	146-026-10241	
MITSUBISHI M025S5	089-604-51011	067-072-00138			146-026-10125	
MITSUBISHI M027S5	089-604-61019	067-075-00135	105-003-00255	NPLA 25	146-026-10241	
MITSUBISHI M036S6	089-604-71017	067-077-00133	105-003-50166	KIPP 16	146-027-10124	
MITSUBISHI M036S6	089-604-71026	067-077-00133	105-003-00255	NPLA 25	146-027-10124	
NISSAN M5-40	089-652-41015	065-011-00135			146-027-10240	
MITSUBISHI M036S6	089-654-71017	067-077-00133	105-003-00255	NPLA 25	146-027-10124	
MITSUBISHI M036S6	089-654-71026	067-077-00133			146-027-10240	

⑤ Kit elettrico / Electric kit (vedere tabella pag.9 / see table page 9)

⑥ Telecomando / Remote cable control (ordinare separatamente/to be order separately)

Lung. / Length	Linea	Lung. / Length	Linea	Lung. / Length	Linea
1000 mm	101-018-01004	2500 mm	101-018-02503	3500 mm	101-018-03502
1500 mm	101-018-01504	3000 mm	101-018-03002	4000 mm	101-018-04001
2000 mm	101-018-02003				

⑦ IDROSTOP 122-009-00011 (ordinare separatamente/to be order separately) pag.10

Composizione con componenti sciolti: / Kit composition with loose parts:

- ① PTO vedi tabella kit / see kit table
- ② Manicotto / Coupling 114-000-00115
- ③ Pompe a ingranaggi / Gear pumps: vedere tabella kit o scegliere alternativa see kit table o choose alternative

Tipo / Type	Sinistra/Left
NPLA - 10	105-003-00102
Tipo/Type	Posteriori/Laterali Rear/Side
NPLH - 06	105-004-10065
NPLH - 10	105-004-10109
NPLH - 16	105-004-10163
NPLH - 20	105-004-10207
NPLH - 25	105-004-10252
NPLH - 32	105-004-10323
NPLH - 40	105-004-10403

- ④ Kit serbatoio / Tank kit: vedere tabella kit o scegliere alternativa see kit table o choose alternative

Valvola / Valve	Tensione / Voltage	Litri / Litres	Codice / Code
FE 40 con finecorsa with built-in knock-off	12 V	15	146-026-15120
		20	146-026-20123
	24 V	15	146-026-15246
		20	146-026-20249
FE 40 senza finecorsa without built-in knock-off	12 V	10	146-027-10124
		15	146-027-15129
	24 V	20	146-027-20122
		10	146-027-10240
		15	146-027-15245
		20	146-027-20248

- ⑤ Kit elettrico / Electric kit: vedere tabella pag. 9 / see table page 9
- ⑧ Accessori / Accessories: vedere tabella pag. 15 / see table page 15

pag.4

COMPANY WITH
QUALITY SYSTEM
CERTIFIED BY DNV GL
= ISO 9001 =

O.M.F.B. S.p.A. Hydraulic Components
We reserve the right to make any changes without notice.
Edition 2008.11 No reproduction, however partial, is permitted.
Via Cave, 7/9 25050 Provaglio d'Iseo (Brescia) Italy Tel.: +39.030.9830611
Fax: +39.030.9839207-208 Internet:www.omfb.it e-mail:info@omfb.it

OMFB
HYDRAULIC COMPONENTS

Codice fascicolo: 997-400-08910

Data: Lunedì 23 novembre 2015

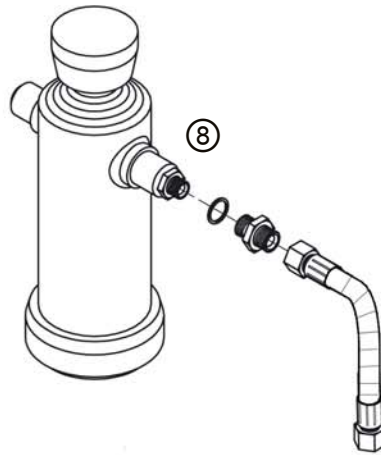
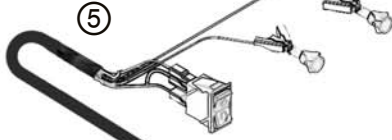
Codice foglio: 997-089-00012 Rev: AD

Codice fascicolo: 997-400-08910

Data: Lunedì 23 novembre 2015

Codice foglio: 997-089-00012 Rev: AD

Kit elettrico
Electric kit
(da ordinare separatamente)
(to be ordered separately)

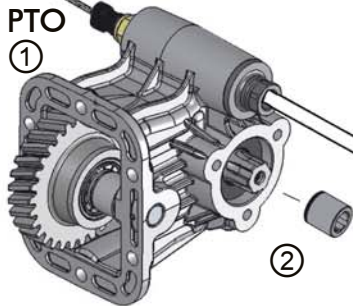


Kit serbatoio
Tank kit

Telecomando
Remote cable control
(da ordinare separatamente)
(to be ordered separately)



IDROSTOP



Pompa NPLA/KIPP
Pump NPLA/KIPP



Optional NPLH

