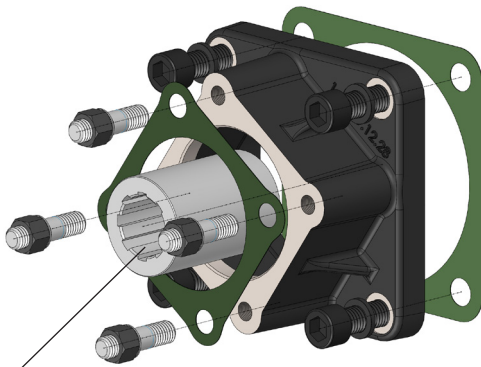


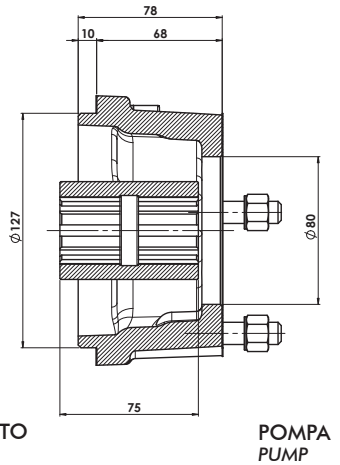
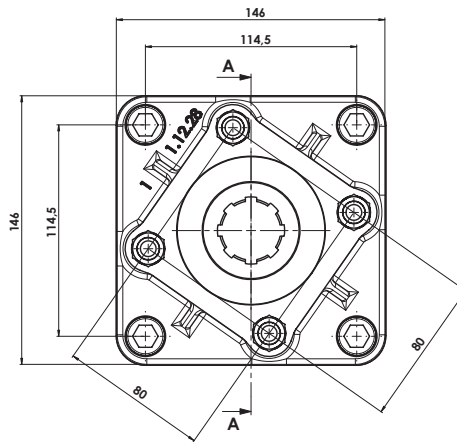
ISTRUZIONI DI MONTAGGIO MOUNTING INSTRUCTIONS

11400011925

Applicazione PTO MOTORE CURSOR 8-10-13 / POMPA ISO
Adaptor MOTOR CURSOR 8-10-13 PTO / ISO 4 BOLT PUMP



Manicotto femmina / Female hub
8x32x36
(ISO 14)



COPPIA DI SERRAGGIO/ TIGHTENING TORQUE					
Diametro filetto - Vite Thread diameter - Screw (mm)	M8	M10	M12	UNC 3/8	UNC 7/16
Coppia chius. viti e dadi Screws and nuts torque (Nm)	25	50	80	25	60
Coppia di chius. prigionieri Studs torque (Nm)	10	20	30	10	20

pag.1

O.M.F.B. S.p.A. Hydraulic Components

We reserve the right to make any changes without notice.
Edition 2013.11 No reproduction, however partial, is permitted.
Via Cave, 7/9 25050 Provaglio d'Iseo (Brescia) Italy
Tel.: +39.030.9830611 Fax: +39.030.9839207-208
Internet:www.omfb.it e-mail:info@contatti.it

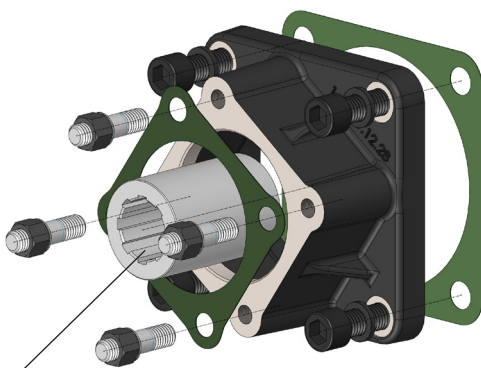
OMFB

HYDRAULIC COMPONENTS

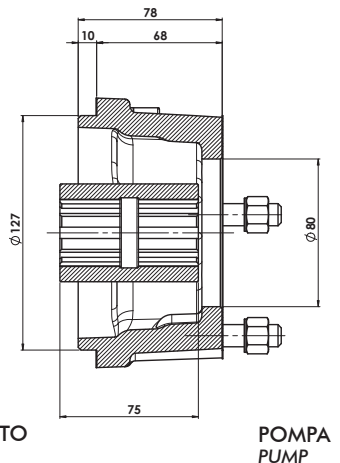
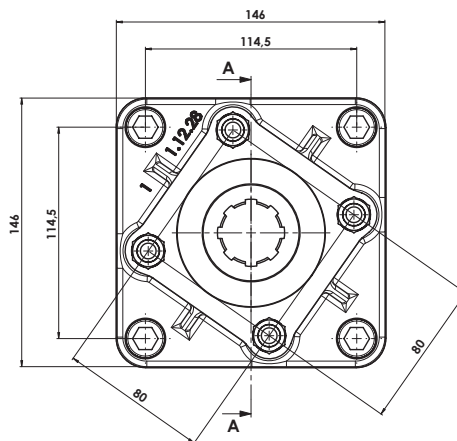
ISTRUZIONI DI MONTAGGIO MOUNTING INSTRUCTIONS

11400011925

Applicazione PTO MOTORE CURSOR 8-10-13 / POMPA ISO
Adaptor MOTOR CURSOR 8-10-13 PTO / ISO 4 BOLT PUMP



Manicotto femmina / Female hub
8x32x36
(ISO 14)



COPPIA DI SERRAGGIO/ TIGHTENING TORQUE					
Diametro filetto - Vite Thread diameter - Screw (mm)	M8	M10	M12	UNC 3/8	UNC 7/16
Coppia chius. viti e dadi Screws and nuts torque (Nm)	25	50	80	25	60
Coppia di chius. prigionieri Studs torque (Nm)	10	20	30	10	20

pag.1

O.M.F.B. S.p.A. Hydraulic Components

We reserve the right to make any changes without notice.
Edition 2013.11 No reproduction, however partial, is permitted.
Via Cave, 7/9 25050 Provaglio d'Iseo (Brescia) Italy
Tel.: +39.030.9830611 Fax: +39.030.9839207-208
Internet:www.omfb.it e-mail:info@contatti.it

OMFB

HYDRAULIC COMPONENTS