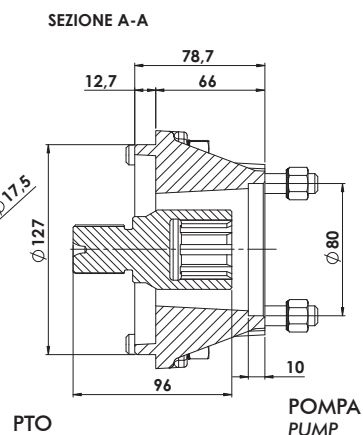
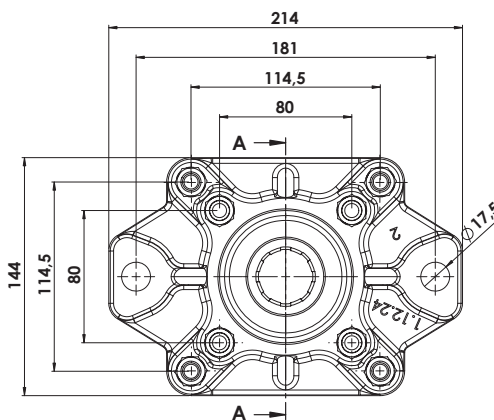
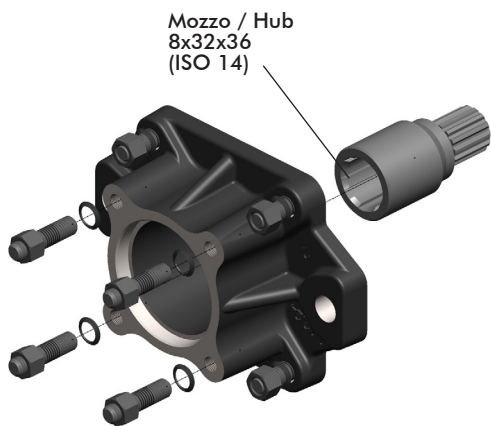


# ISTRUZIONI DI MONTAGGIO MOUNTING INSTRUCTIONS

11400011916

Applicazione PTO MERCEDES UNIMOG U2150 L=38 N16 U63-65 / POMPA HDS ISO  
Adaptor MERCEDES UNIMOG U2150 L=38 N16 U63-65 PTO / HDS ISO PUMP



COPPIA DI SERRAGGIO / TIGHTENING TORQUE					
Diametro filetto - Vite Thread diameter - Screw (mm)	M8	M10	M12	UNC 3/8	UNC 7/16
Coppia chius. viti e dadi Screws and nuts torque (Nm)	25	50	80	25	60
Coppia di chius. prigionieri Studs torque (Nm)	10	20	30	10	20

pag.1

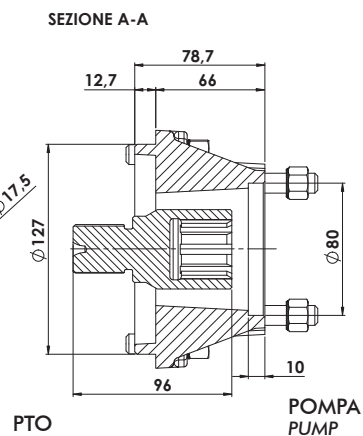
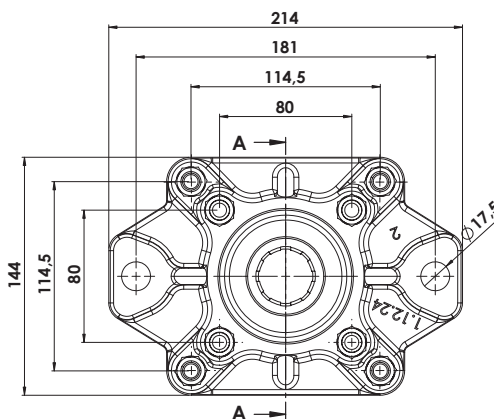
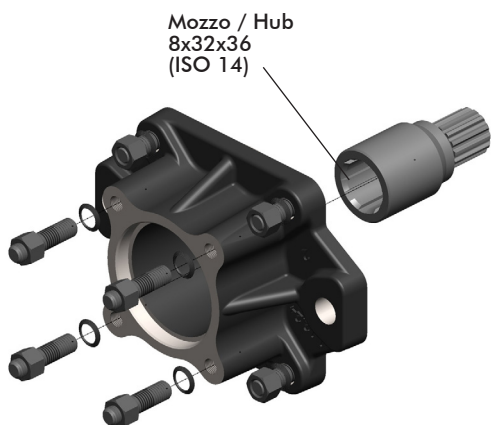


O.M.F.B. S.p.A. Hydraulic Components  
We reserve the right to make any changes without notice.  
Edition 2013.11 No reproduction, however partial, is permitted.  
Via Cave, 7/9 25050 Provaglio d'Iseo (Brescia) Italy  
Tel.: +39.030.9830611 Fax: +39.030.9839207-208  
Internet:www.omfb.it e-mail:info@omfb.it

# ISTRUZIONI DI MONTAGGIO MOUNTING INSTRUCTIONS

11400011916

Applicazione PTO MERCEDES UNIMOG U2150 L=38 N16 U63-65 / POMPA HDS ISO  
Adaptor MERCEDES UNIMOG U2150 L=38 N16 U63-65 PTO / HDS ISO PUMP



COPPIA DI SERRAGGIO / TIGHTENING TORQUE					
Diametro filetto - Vite Thread diameter - Screw (mm)	M8	M10	M12	UNC 3/8	UNC 7/16
Coppia chius. viti e dadi Screws and nuts torque (Nm)	25	50	80	25	60
Coppia di chius. prigionieri Studs torque (Nm)	10	20	30	10	20

pag.1



O.M.F.B. S.p.A. Hydraulic Components  
We reserve the right to make any changes without notice.  
Edition 2013.11 No reproduction, however partial, is permitted.  
Via Cave, 7/9 25050 Provaglio d'Iseo (Brescia) Italy  
Tel.: +39.030.9830611 Fax: +39.030.9839207-208  
Internet:www.omfb.it e-mail:info@omfb.it