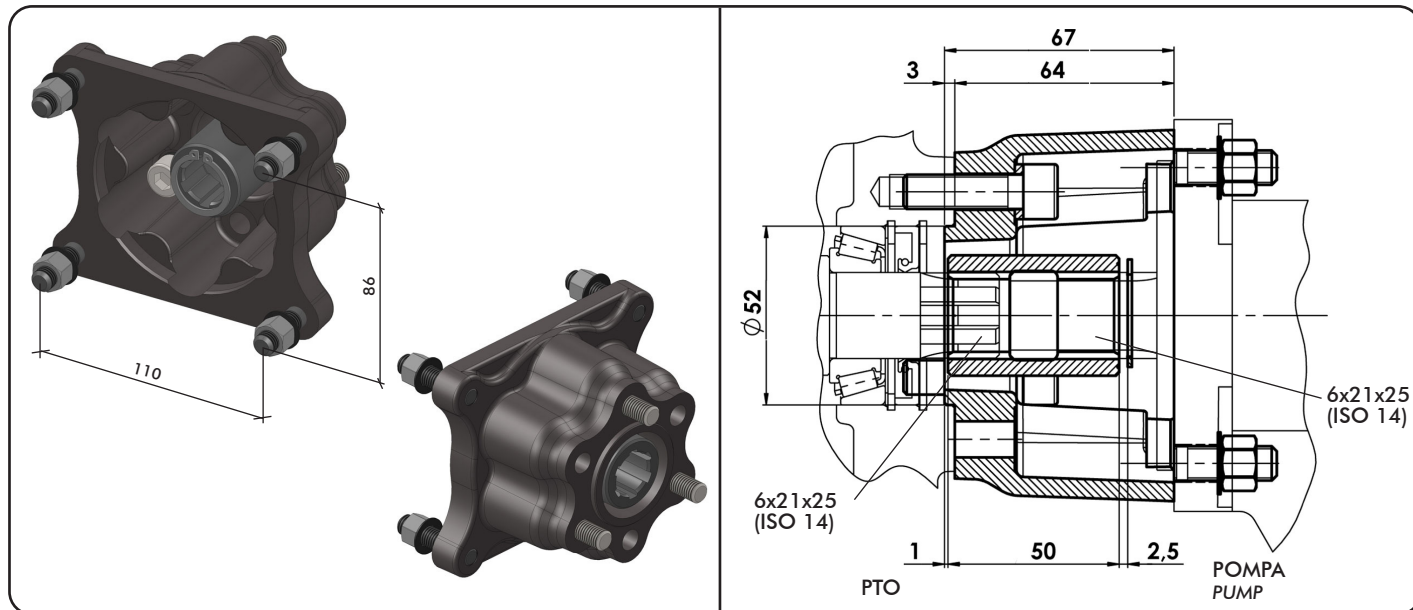


ISTRUZIONI PER IL MONTAGGIO ASSEMBLY INSTRUCTIONS

CODICE
CODE

11400011845

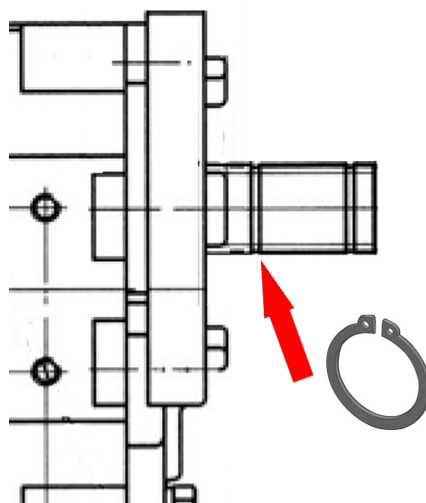
**POMPA EST STANDARD
PTO UNI**



ATTENZIONE: l'albero delle pompe può avere 1 o 2 sedi; l'anello elastico deve essere montato **SEMPRE** come indicato in figura.



WARNING: for pumps with either one or two grooves on the shaft, the circlip has always to be fitted on the **REAR GROOVE** as shown in the following picture.



pag.1

OMFB

HYDRAULIC COMPONENTS

O.M.F.B. S.p.A. Hydraulic Components

We reserve the right to make any changes without notice.

Edition 2013.10 No reproduction, however partial, is permitted.

Via Cave, 7/9 25050 Provaglio d'Iseo (Brescia) Italy Tel.: +39.030.9830611

Fax: +39.030.9839207-208 Internet:www.omfb.it e-mail:info@omfb.it