

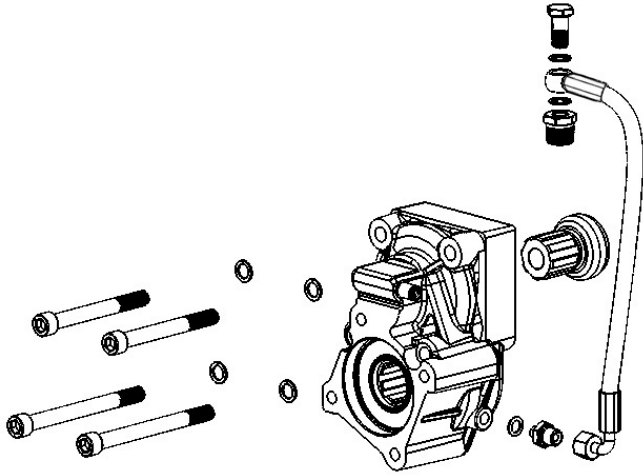
**POSIZIONE COLLEGAMENTO
KIT LUBRIFICAZIONE**
POSITION OF THE LUBRICATION
KIT'S CONNECTION

CODICE KIT
KIT CODE

09400100074/109

IVECO 2895,9/13,56

Esempio di montaggio
Example



Posizione attacco lubrificazione
Port for lubrication



pag.1

O.M.F.B. S.p.A. Hydraulic Components

We reserve the right to make any changes without notice.
Edition 2004.03 No reproduction, however partial, is permitted.
Via Cave, 7/9 25050 Provaglio d'Iseo (Brescia) Italy
Tel.: +39.030.9830611 Fax: +39.030.9839207-208
Internet:www.omfb.it e-mail:info@omfb.it

OMFB

HYDRAULIC COMPONENTS

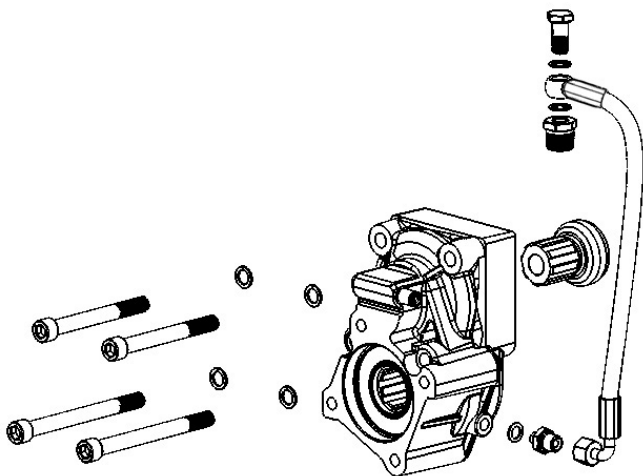
**POSIZIONE COLLEGAMENTO
KIT LUBRIFICAZIONE**
POSITION OF THE LUBRICATION
KIT'S CONNECTION

CODICE KIT
KIT CODE

09400100074/109

IVECO 2895,9/13,56

Esempio di montaggio
Example



Posizione attacco lubrificazione
Port for lubrication



pag.1

O.M.F.B. S.p.A. Hydraulic Components

We reserve the right to make any changes without notice.
Edition 2004.03 No reproduction, however partial, is permitted.
Via Cave, 7/9 25050 Provaglio d'Iseo (Brescia) Italy
Tel.: +39.030.9830611 Fax: +39.030.9839207-208
Internet:www.omfb.it e-mail:info@omfb.it

OMFB

HYDRAULIC COMPONENTS